

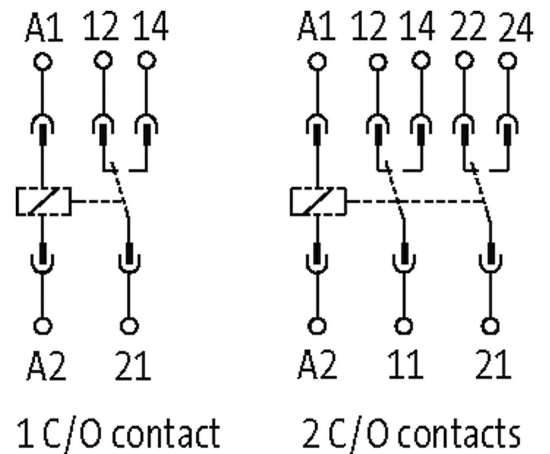
## RTS-2FI RELAY SOCKET MODULES

Product discontinued

for plug relays MRS  
1 or 2 NO/NC contacts  
250 V AC  
touch protected (VGB 4) and (VDE 0106) part 100 and 101

### [Link to Product](#)

#### Illustration



Product may differ from Image

#### Approvals

Approvals

#### More Info

Bus technologies

#### General data

Standards	touch protected (VGB 4) and (VDE 0106) part 100 and 101
Mounting method	DIN-rail mountable (EN 60715)
Test isolation voltage	36870
Connection	Screw terminals: max. 4 mm <sup>2</sup>

The information in this brochure has been compiled with the utmost care.  
Liability for the correctness completeness and topicality of the information is restricted to gross negligence. Version: 04/21

Dimensions H×W×D 81.9×15.5×75 mm

**Technical Data**

Additional suppressor	plug-in suppressor module MRE
Switching current	16 A
Switching voltage	250 V AC

**Commercial data**

country of origin	IT
customs tariff number	85366990
EAN	4048879027663
eClass	27371001
Packaging unit	1.000