

AMMDS 20-47/2 OPTO-COUPLER MODULE

IN: 35 VDC - OUT: 280 VAC / 2A

Art.No.: 50092

Weight: 0.040 kg

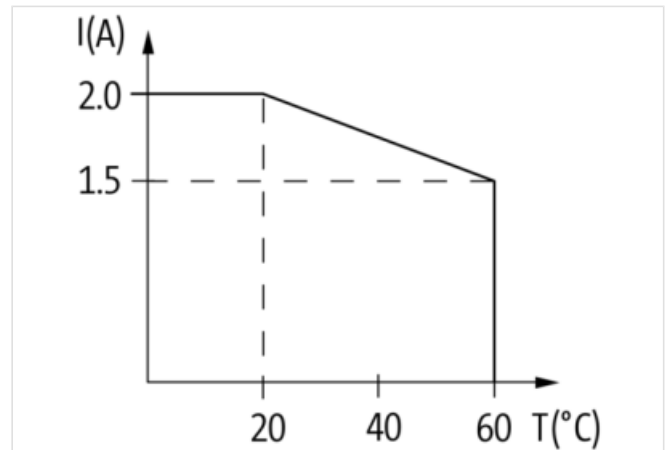
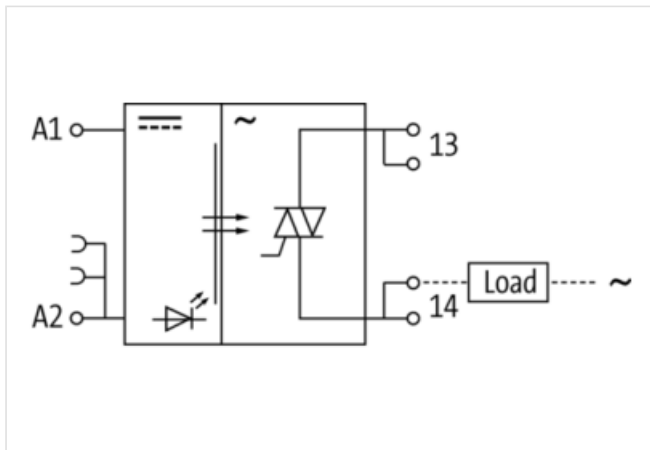
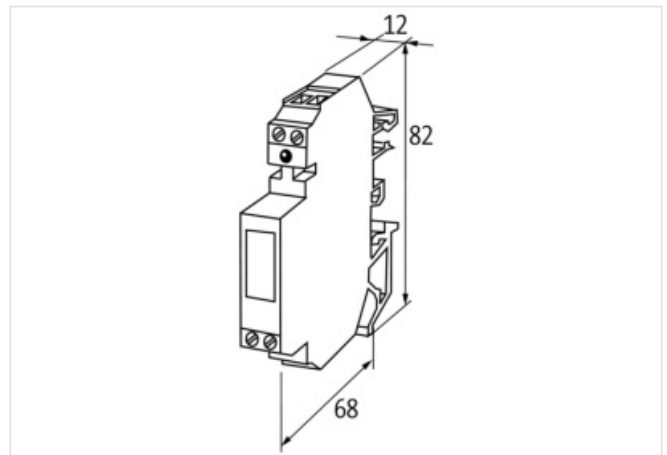
Country of origin: CZ

Model designation: AMMDS 20-47/2

Triac 2 A

24 V DC

with minus plug link

Link to Product**Illustration**

Product may differ from Image

**Commercial data**

URL Webshop	https://shop.murrelektronik.com/50092
GTIN	4048879027953
Customs tariff number	85414900
Scope of delivery	Jumper (Art-No. 90960)

The information in this Product-PDF has been compiled with the utmost care.

Liability for the correctness completeness and topicality of the information is restricted to gross negligence. Version: 2026-05-15

Murrelektronik GmbH | Grabenstraße 29 | 71570 Oppenweiler | Fon +49 (71 91) 47-0 | Fax +49 (71 91) 47-491000 | shop@murrelektronik.com | shop.murrelektronik.com

ECLASS-6.0	27371604
ECLASS-6.1	27371604
ECLASS-7.0	27371604
ECLASS-7.1	27371604
ECLASS-8.0	27371604
ECLASS-8.1	27371604
ECLASS-9.0	27371604
ECLASS-9.1	27371604
ECLASS-10.0.1	27371604
ECLASS-10.1	27371604
ECLASS-11.0	27371604
ECLASS-11.1	27371604
ECLASS-12.0	27371604
ECLASS-13.0	27371604
ECLASS-14.0	27371604
ETIM-5.0	EC001504
ETIM-6.0	EC001504
ETIM-7.0	EC001504
ETIM-8.0	EC001504
customs tariff number	85414900
EAN	4048879027953
Packaging unit	1

Electrical data | Input

Input voltage DC min.	10 V
Input voltage DC max.	35 V
Input voltage OFF DC min.	0 V
Input voltage OFF DC max.	3 V
Input current	6 mA

Electrical data | Output

Voltage drop AC max.	1 V
Quiescent current OFF max.	2 mA
Switch on delay max.	10 ms
Switch off delay max.	10 ms
Voltage switching AC min.	24 V
Switching voltage AC max.	280 V
Switching current min.	50 mA
Switching current max.	2 A
Switching frequency ohmic max.	20 Hz
Switching frequency inductive max.	5 Hz

Diagnostics

Status indication LED	red
-----------------------	-----

Device protection | Media

Flame resistance	flame retardant
------------------	-----------------

Mechanical data | Material data

housing	Plastic
Color housing	black

Mechanical data | Mounting data

Height	68 mm
Width	12 mm
Depth	82 mm
Mounting method	geschnappt

Suitable for mounting type Mounting rail TH35, (EN 60715), G32

Environmental characteristics | Climatic

Operating temperature min.	-20 °C
Operating temperature max.	60 °C