

AMMDS 10-44/1 OPTO-COUPLER MODULE

IN: 35 VDC - OUT: 35 VDC / 0.2 A

Art.No.: 50082

Weight: 0.036

Country of origin: CZ

Model designation: AMMDS 10-44/1

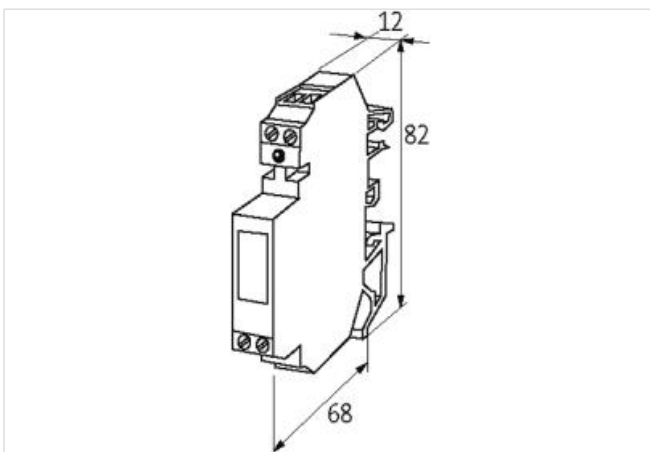
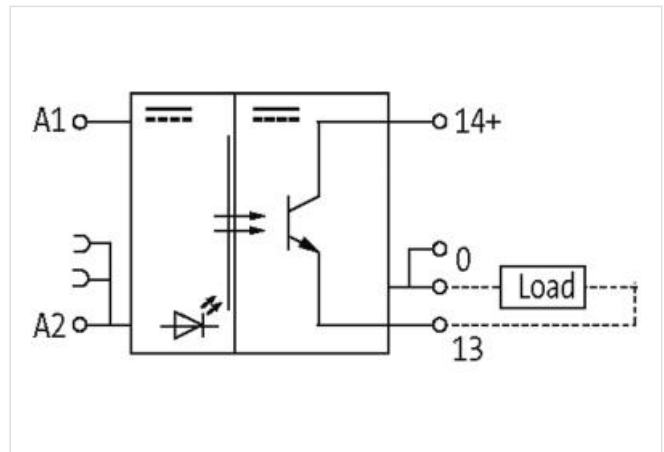
Transistor 0.2 A

24 V DC

with minus plug link

Double terminals on the output side

for rapid switching

[Link to Product](#)**Illustration**

Product may differ from Image

**General product information**

Scope of delivery

Jumper (Art-No. 90960)

Commercial data

The information in this Product-PDF has been compiled with the utmost care.

Liability for the correctness completeness and topicality of the information is restricted to gross negligence. Version: 2025-04-30

Murrelektronik GmbH | Grabenstraße 29 | 71570 Oppenweiler | Fon +49 (71 91) 47-0 | Fax +49 (71 91) 47-491000 | shop@murrelektronik.com | shop.murrelektronik.com

ECLASS-6.0	27371604
ECLASS-6.1	27371604
ECLASS-7.0	27371604
ECLASS-8.0	27371604
ECLASS-9.0	27371604
ECLASS-10.1	27371604
ECLASS-11.1	27371604
ECLASS-12.0	27371604
ETIM-5.0	EC001504
ETIM-6.0	EC001504
ETIM-7.0	EC001504
ETIM-8.0	EC001504
customs tariff number	85414900
customs tariff number	85414900
GTIN	4048879027977
GTIN	4048879027977
Packaging unit	1
Packaging unit	1

Electrical data | Input

Input voltage DC min.	10 V
Input voltage DC max.	35 V
Input voltage OFF DC min.	0 V
Input voltage OFF DC max.	5 V
Input current	10 mA

Electrical data | Output

Switch off delay max.	14 µs
Switch on delay max.	20 µs
Quiescent current OFF max.	0,3 mA
Switching frequency inductive max.	200 Hz
Switching frequency ohmic max.	20000 Hz
Voltage switching DC min.	5 V
Switching voltage DC max.	35 V
Switching current min.	1 mA
Switching current max.	0,2 A
Voltage drop DC max.	0,5 V

Diagnostics

Status indication LED	red
-----------------------	-----

Device protection | Electrical

Rated surge voltage	2,5 kV
---------------------	--------

Device protection | Media

Flame resistance	flame retardant
------------------	-----------------

Mechanical data | Material data

Material housing	Plastic
Color housing	black

Mechanical data | Mounting data

Mounting method	geschnappt
Suitable for mounting type	Mounting rail TH35, G32, (EN 60715)
Height	68 mm
Width	82 mm
Depth	12 mm

Environmental characteristics | Climatic

Operating temperature min.	-20 °C
----------------------------	--------

Operating temperature max.	60 °C
----------------------------	-------

Connection type 3

Connection type 1	Input
-------------------	-------

Connection type 2	Output
-------------------	--------

Connection type 3	Output
-------------------	--------

Connection	Screw terminals SK
------------	--------------------

Family construction form	terminal
--------------------------	----------

Gender	female
--------	--------

No. of poles	2
--------------	---

Connection	Screw terminals SK
------------	--------------------

Family construction form	terminal
--------------------------	----------

Gender	female
--------	--------

No. of poles	2
--------------	---

Connection	Screw terminals SK
------------	--------------------

Family construction form	terminal
--------------------------	----------

Gender	female
--------	--------

No. of poles	2
--------------	---

PIN 1	+ 14
-------	------

PIN 2	13
-------	----