

Active controlled rectifier

22,5 mm spring clamp

Art.No.: 50003

Weight: 0.1

Country of origin: CZ

Model designation: Active controlled rectifier

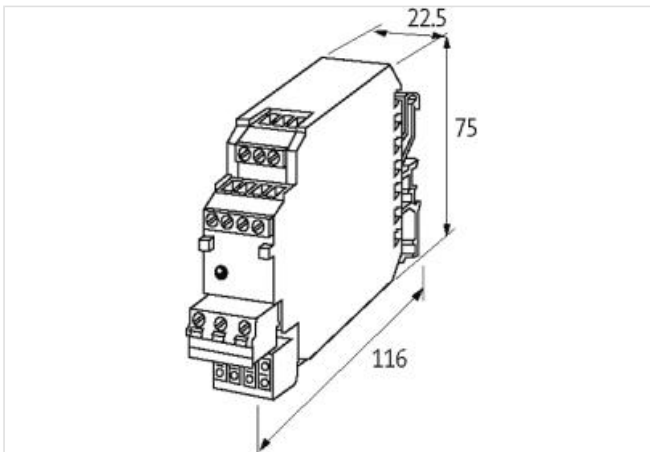
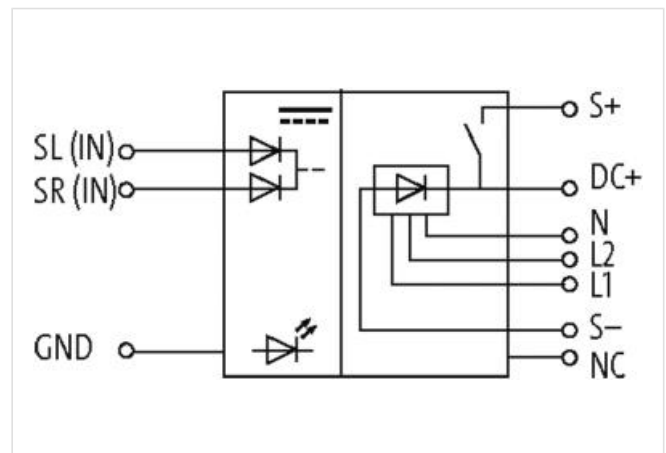
24 V DC (ON: > 16 V DC; OFF: < 12 V DC)

OUTPUT: 180, 205, 215 V DC

Spring clamp terminals

Link to Product

Illustration



Product may differ from Image



Commercial data

ECLASS-6.0	27371604
ECLASS-6.1	27040390
ECLASS-7.0	27040390
ECLASS-8.0	27040390

ECLASS-9.0	27040390
ECLASS-10.1	27040390
ECLASS-11.1	27040390
ECLASS-12.0	27040390
ETIM-5.0	EC001504
customs tariff number	85044083
customs tariff number	85044083
customs tariff number	85044083
GTIN	4048879404150
GTIN	4048879404150
GTIN	4048879404150
Packaging unit	1
Packaging unit	1
Packaging unit	1

Electrical data | Input

Input voltage 1 AC	230 V
Input voltage 2 AC	400 V
Input voltage 3 AC	480 V
Input voltage OFF DC max.	12 V
Input current DC max.	0,8 A
Control voltage DC	24 V
Control voltage DC min.	16 V

Electrical data | Output

Output voltage	205 V DC (230 V AC); 180 V DC (400 V AC); 215 V DC (480 V AC)
Output current max.	0,75 A
Switching frequency max.	2,5 Hz

Diagnostics

Status indication LED	green
-----------------------	-------

Device protection | Electrical

Degree of protection (EN IEC 60529)	IP20
Invers-polarity protection	yes

Mechanical data | Mounting data

Mounting method	geschnappt
Suitable for mounting type	Mounting rail TH35, (EN 60715)
Height	75 mm
Width	22,5 mm
Depth	85 mm

Environmental characteristics | Climatic

Operating temperature min.	-25 °C
Operating temperature max.	55 °C

Connection type 4

Connection type 1	X1
Connection type 2	X2
Connection type 3	X3
Connection type 4	X4
Connection	Spring clamp terminals FK
Family construction form	terminal
Gender	female
No. of poles	4
PIN 1	SL
PIN 2	SR

PIN 3	0 V
PIN 4	0 V
Connection	Spring clamp terminals FK
Family construction form	terminal
Gender	female
No. of poles	3
PIN 1	DC +
PIN 2	S +
PIN 3	S -
Connection	Spring clamp terminals FK
Family construction form	terminal
Gender	female
No. of poles	4
PIN 1	S -
PIN 2	NC
PIN 3	L 2
PIN 4	L 2
Connection	Spring clamp terminals FK
Family construction form	terminal
Gender	female
No. of poles	4
PIN 1	L 1
PIN 2	L 1
PIN 3	N
PIN 4	N