

MMW ANALOG COUPLER COMPONENT

IN: -10...+10V/(0)4...20 mA - OUT: 0...10V/(0)4...20 mA

Art.No.: 44207

Weight: 0.171 kg

Country of origin: CZ

Model designation: MULTIWANDLER

INPUT: 0...5 V DC, 0...10 V DC, ± 10 V DC

INPUT: 0...20 mA, 4...20 mA

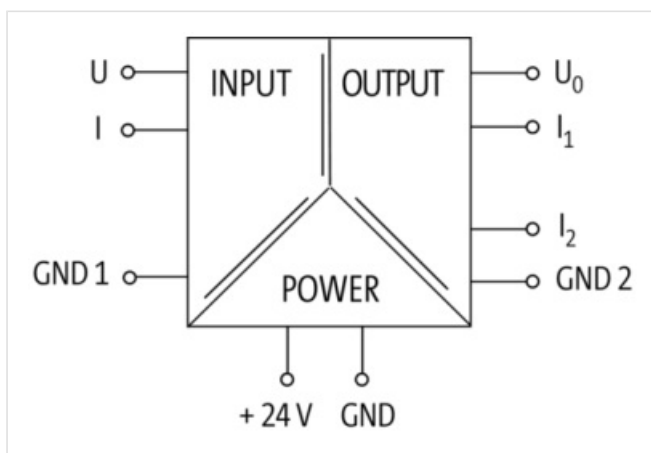
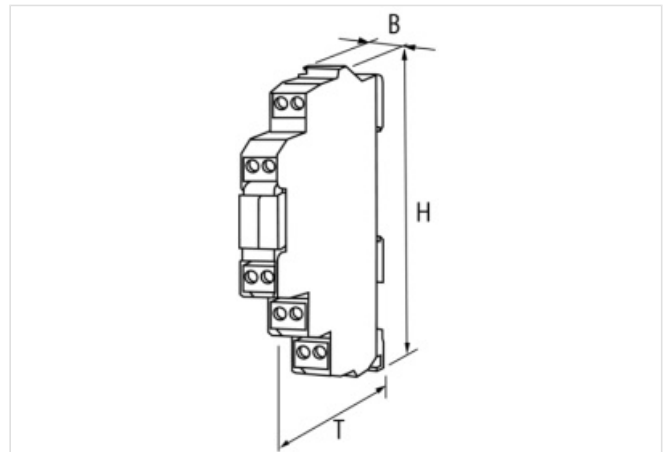
Screw terminals

Input, output, and supply voltage galvanically separated

Due to an integrated current limiter on the output, the output is short circuit and overload protected. A special characteristic of the MULTI Converter Art.-No. 6644207 includes: Analog voltage signals 0...5 V/0...10 V and -10...+10 V and current signals 0...20 mA and 4...20 mA, these compact modules can be galvanically isolated in the three standard signals, which means all combinations are covered with one model. The selection of the input is done by means of a 5-pole rotary switch, accessible under the identification tag. The voltage supply is galvanically isolated from the input and output circuits (3-way isolation).

[Link to Product](#)

Illustration



Product may differ from Image

**Commercial data**

URL Webshop	https://shop.murrelektronik.com/44207
GTIN	4048879028479
Customs tariff number	85437090
ECLASS-6.0	27210990
ECLASS-6.1	27210990
ECLASS-7.0	27210990
ECLASS-7.1	27210990
ECLASS-8.0	27210990
ECLASS-8.1	27210990
ECLASS-9.0	27210990
ECLASS-9.1	27210990
ECLASS-10.0.1	27210990
ECLASS-10.1	27210990
ECLASS-11.0	27210990
ECLASS-11.1	27210990
ECLASS-12.0	27210990
ECLASS-13.0	27210990
ECLASS-14.0	27210990
ETIM-5.0	EC002477
ETIM-6.0	EC002477
ETIM-7.0	EC002477
ETIM-8.0	EC002477
customs tariff number	85437090
EAN	4048879028479
Packaging unit	1

Electrical data | Input

Input current min.	0 mA
Input current max.	20 mA
Current input mode 2 min.	4 mA
Current input mode 2 max.	20 mA
Input resistor	100 k Ω
Working resistance max.	75 Ω

Electrical data | Output

Working resistance max.	400 Ω
-------------------------	--------------

Device protection | Electrical

Insulation test voltage input - output	0,75 kV
--	---------

Mechanical data | Mounting data

Height	90 mm
Width	12,4 mm
Depth	70 mm
Mounting method	geschnappt
Suitable for mounting type	(EN 60715), mounting rail

Environmental characteristics | Climatic

Operating temperature min.	-25 °C
Operating temperature max.	50 °C

Connection type 5

Family construction form	terminal
No. of poles	2
Gender	female
Connection	Screw terminals SK
PIN 1	+ 24 V DC
PIN 2	GD
Family construction form	terminal
No. of poles	2
Gender	female
Connection	Screw terminals SK
PIN 1	GD 1
PIN 2	GD 1
Family construction form	terminal
No. of poles	2
Gender	female
Connection	Screw terminals SK
PIN 1	U
PIN 2	I
Family construction form	terminal
No. of poles	2
Gender	female
Connection	Screw terminals SK
PIN 1	Uo
PIN 2	I 1
Family construction form	terminal
No. of poles	2
Gender	female
Connection	Screw terminals SK
PIN 1	I 2
PIN 2	GD 2