

MVP12, 6XM12, 5POLE, PLUGGABLE CABLE

10.0m PUR/PVC 12x0,34+3x0,75

Art.No.: 27033

Weight: 1.600 kg

Country of origin: CZ

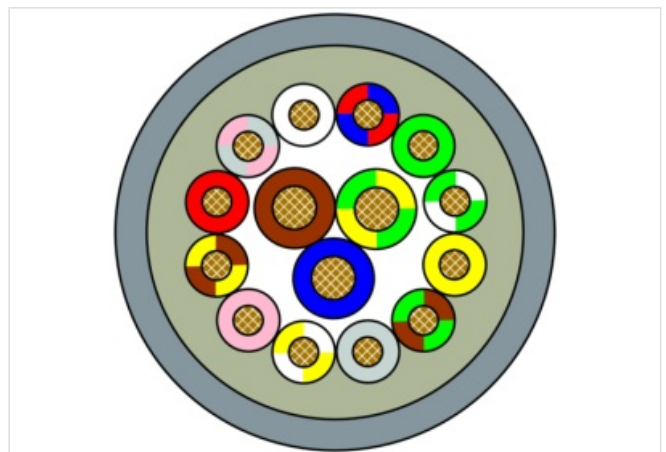
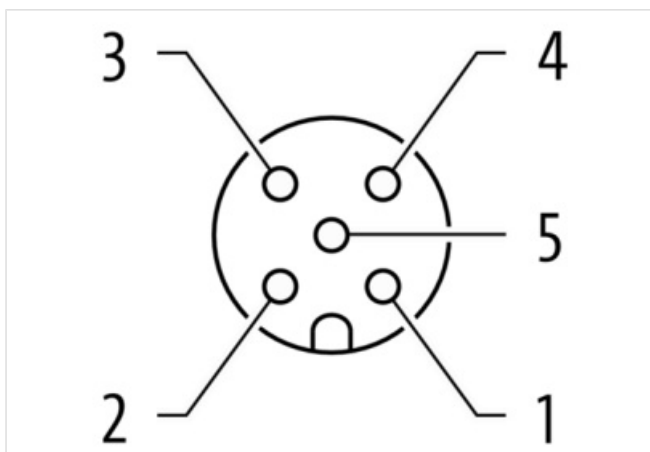
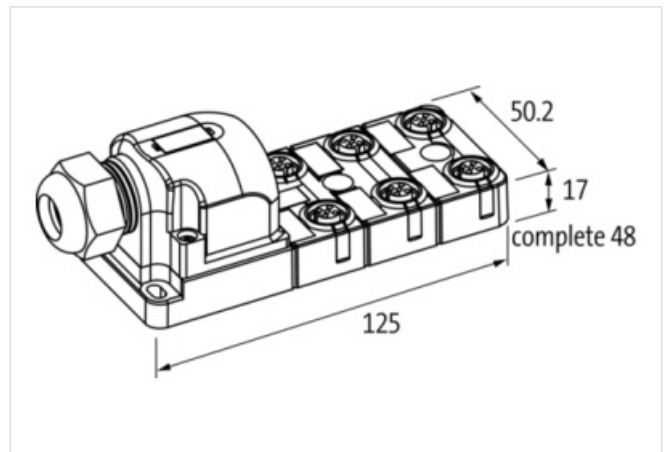
Model designation: MVM6-UHM10.0

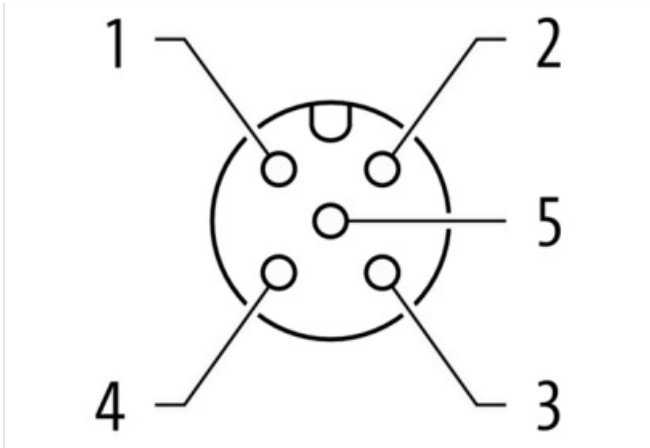
Further cable lengths on request.

Plastic housings with good resistance against chemicals and oils.

The resistance to aggressive media should be individually tested for your application. Further details on request.

with LED for digital PNP-signals 24 V DC

[Link to Product](#)**Illustration**



Product may differ from Image



Commercial data

URL Webshop	https://shop.murrelektronik.com/27033
GTIN	4048879064484
Customs tariff number	85444290
ECLASS-6.0	27279219
ECLASS-6.1	27279219
ECLASS-7.0	27279219
ECLASS-7.1	27279219
ECLASS-8.0	27279219
ECLASS-8.1	27279219
ECLASS-9.0	27440108
ECLASS-9.1	27440108
ECLASS-10.0.1	27440108
ECLASS-10.1	27440108
ECLASS-11.0	27440108
ECLASS-11.1	27440108
ECLASS-12.0	27440108
ECLASS-13.0	27440108
ECLASS-14.0	27440108
ETIM-5.0	EC002585
ETIM-6.0	EC002585
ETIM-7.0	EC002585
ETIM-8.0	EC002585
customs tariff number	85444290
EAN	4048879064484
Packaging unit	1

Electrical data | Supply

Operating voltage DC	24 V
Operating voltage DC min.	18 V
Operating voltage DC max.	30 V
Current operating per contact max.	4 A
Total current max.	8 A

Industrial Communication

The information in this Product-PDF has been compiled with the utmost care.

Liability for the correctness completeness and topicality of the information is restricted to gross negligence. Version: 2026-06-15

Murrelektronik GmbH | Grabenstraße 29 | 71570 Oppenweiler | Fon +49 (71 91) 47-0 | Fax +49 (71 91) 47-491000 | shop@murrelektronik.com | shop.murrelektronik.com

Number of signals per port 2

Installation | Connection

Tightening torque 0,6 Nm
Mounting set M12 x 1

Device protection | Electrical

Degree of protection (EN IEC 60529) IP67, IP65
Additional condition protection degree inserted, screwed

Device protection | Media

Flame resistance flame retardant

Mechanical data | Material data

housing PBT

Mechanical data | Mounting data

Height 125 mm
Width 50,2 mm
Depth 17 mm
Mounting method Schraubgewinde, screwed, Shaking protection
Cable length 10 m

Environmental characteristics | Climatic

Operating temperature min. -20 °C
Operating temperature max. 80 °C
Additional condition temperature range depending on cable quality

Installation | Cable

Stranding 1 × 3 wires stranded
Stranding (type 2) 1 × 12 wires stranded around stranding combination
Wire arrangement (BN, GNYE, BU), RD, GYPK, WH, RDBU, GN, GNWH, YE, BNGN, GY, YEWB, PK, BNYE
Material wire insulation PVC
Amount wires 12
Outer diameter insulation 1.3 mm ± 0.1 mm
Conductor crosssection (wire) 0,34 mm²
Material conductor wire Stranded copper wire, bare
Core construction (wire) 19 × 0.15 mm
Material properties wire insulation good machinability
Ingredient freeness wire insulation lead-free, cadmium-free, CFC-free, silicone-free
Electrical function wire (type 2) Power
Material wire insulation (type 2) PVC
Amount wires (type 2) 3
Outer diameter wire insulation (type 2) 1.8 mm ± 0.1 mm
Conductor crosssection (wire type 2) 0,75 mm²
Material conductor wire (type 2) Stranded copper wire, bare
Core construction (wire type 2) 42 × 0.15 mm
Material properties wire insulation (type 2) good machinability
Ingredient freeness wire insulation (type 2) lead-free, cadmium-free, CFC-free, silicone-free
Material jacket PUR
Outer-diameter (jacket) 9.2 mm ± 5 %
Jacket Color gray / RAL 7040
Material inner jacket PVC
Color (inner jacket) gray
Freedom from ingredients (jacket) lead-free, cadmium-free, CFC-free, silicone-free
Material property (jacket) abrasion-resistant, low adhesion, good machinability, matte
Conductor resistance (wire) 57 Ω/km @ 20 °C
Conductor resistance (wire type 2) 26 Ω/km @ 20 °C

Max. rated voltage (conductor - ground)	300 V
Max. rated voltage (conductor - conductor)	300 V
Withstand voltage (wire - wire)	2 kV @ 60 s
Withstand voltage (wire - jacket)	2 kV @ 60 s
Current load capacity max. (wire)	4 A
Current load capacity max. Wire (type 2)	12 A
Current load capacity (standard)	to DIN VDE 0298-4
Operating temperature (static)	-30 °C ... 80 °C
Operating temperature (dynamic)	-5 °C ... 70 °C
Operating temperature (drag chain)	-5 °C ... 60 °C
Flame resistance	UL 1581 § 1090, CSA FT2, IEC 60332-2-2
Oil resistance	IEC 60811-404
Chemical resistance	good
Other resistances	good resistance to gasoline, resistant to hydrolysis, resistant to microbes
Notes	application-related testing
Bending radius (fixed)	5 × Outer diameter
Bending radius (dynamic)	10 × Outer diameter
No. of bending cycles (C-track)	2 Mio. @ 25 °C
Traversing distance (C-track)	5 m @ 25 °C
Travel speed (C-track)	2 m/s @ 25 °C
Acceleration (C-track)	10 m/s ² @ 25 °C

Connection type 2

Family construction form	free cable end
No. of poles	15
Color contact carrier	gray
Family construction form	M12
No. of poles	5
Coding	A
Gender	female
Color contact carrier	black
PIN 1	+
PIN 2	NC S 2
PIN 3	-
PIN 4	NO S 1
PIN 5	PE