

SIEMENS CONTACTOR SUPPRESSOR

Varistor, 230VAC/DC

Art.No.: 26507

Weight: 0.006 kg

Country of origin: DE

Model designation: VG 127-240V-S00

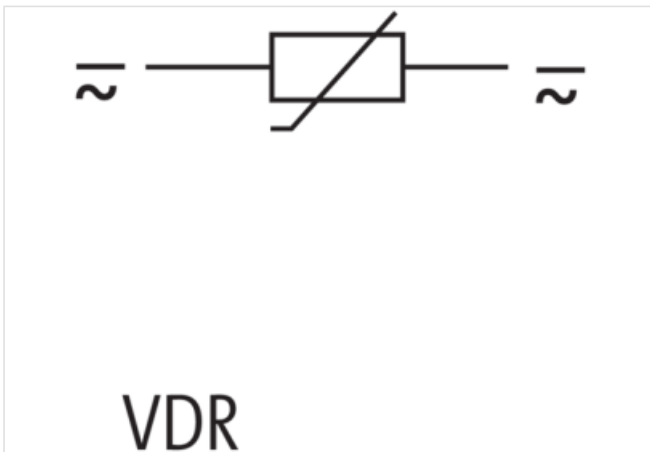
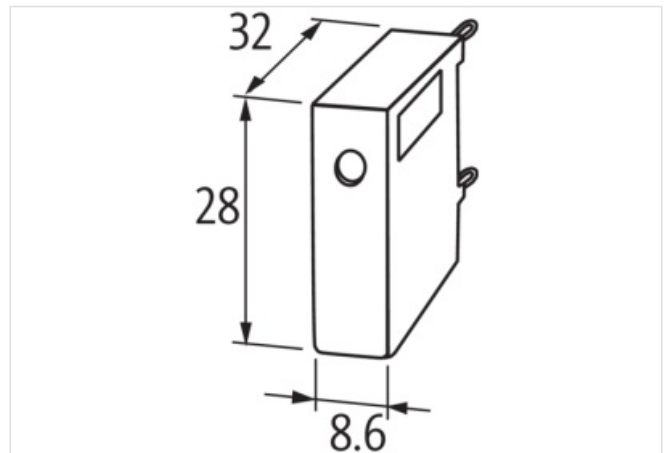
230 V AC/DC

VDR

For other configurations and voltages, please inquire.

Link to Product

Illustration



Product may differ from Image



Commercial data

Material short text	VG 127-240V-S00
URL Webshop	https://shop.murrelektronik.com/26507
GTIN	4048879017572
ECLASS-6.0	27371013

ECLASS-6.1	27371013
ECLASS-7.0	27371013
ECLASS-7.1	27371013
ECLASS-8.0	27371013
ECLASS-8.1	27371013
ECLASS-9.0	27371013
ECLASS-9.1	27371013
ECLASS-10.0.1	27371013
ECLASS-10.1	27371013
ECLASS-11.0	27371013
ECLASS-11.1	27371013
ECLASS-12.0	27371013
ECLASS-13.0	27371013
ECLASS-14.0	27371013
ETIM-5.0	EC002498
ETIM-6.0	EC002498
ETIM-7.0	EC002498
ETIM-8.0	EC002498
customs tariff number	85363010
EAN	4048879017572
Packaging unit	1

Electrical data | Input

Input voltage AC min.	110 V
Input voltage AC max.	253 V
Input voltage DC min.	110 V
Input voltage DC max.	253 V

Mechanical data | Mounting data

Height	28 mm
Width	8,6 mm
Depth	32 mm

Environmental characteristics | Climatic

Operating temperature min.	-20 °C
Operating temperature max.	70 °C