

## SIEMENS CONTACTOR SUPPRESSOR

Zener diode, 24VDC

Art.No.: 26502

Weight: 0.006 kg

Country of origin: DE

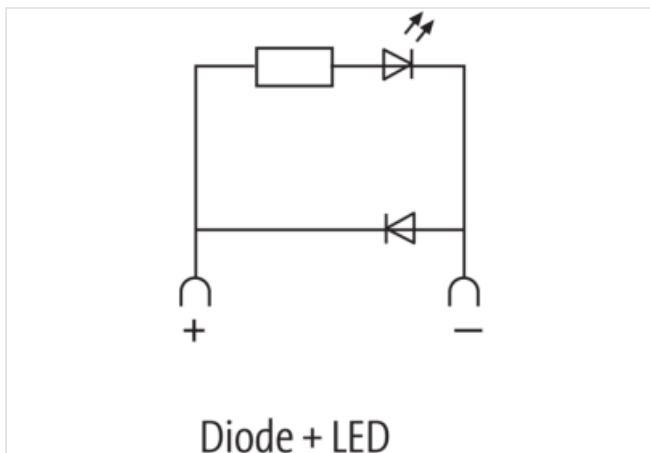
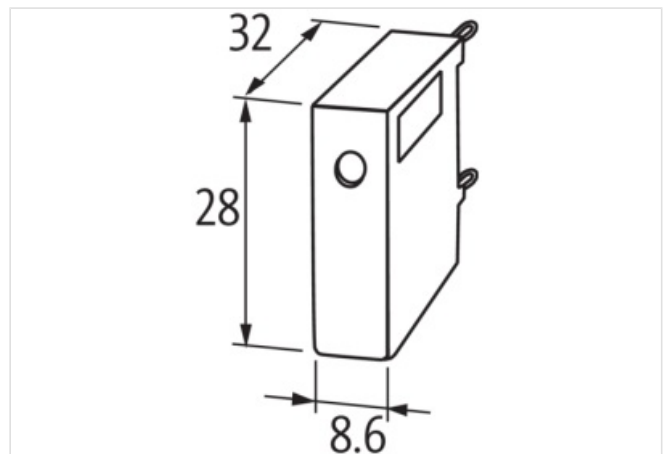
Model designation: LGZ 12-250 VDC-S00

24 V AC/DC

Diode/Z-Diode

### Link to Product

#### Illustration



Product may differ from Image



#### Commercial data

Material short text	LGZ 12-250 VDC-S00
URL Webshop	<a href="https://shop.murrelektronik.com/26502">https://shop.murrelektronik.com/26502</a>
GTIN	4048879017626
ECLASS-6.0	27371013

ECLASS-6.1	27371013
ECLASS-7.0	27371013
ECLASS-7.1	27371013
ECLASS-8.0	27371013
ECLASS-8.1	27371013
ECLASS-9.0	27371013
ECLASS-9.1	27371013
ECLASS-10.0.1	27371013
ECLASS-10.1	27371013
ECLASS-11.0	27371013
ECLASS-11.1	27371013
ECLASS-12.0	27371013
ECLASS-13.0	27371013
ECLASS-14.0	27371013
ETIM-5.0	EC002498
ETIM-6.0	EC002498
ETIM-7.0	EC002498
ETIM-8.0	EC002498
customs tariff number	85363010
EAN	4048879017626
Packaging unit	1

**Electrical data | Input**

Input voltage DC min.	12 V
Input voltage DC max.	240 V

**Mechanical data | Mounting data**

Height	28 mm
Width	8,6 mm
Depth	32 mm