

## SIEMENS CONTACTOR SUPPRESSOR

Diode, 0...240VDC

Art.No.: 26500

Weight: 0.007 kg

Country of origin: DE

Model designation: LG 12-250 VDC-S00

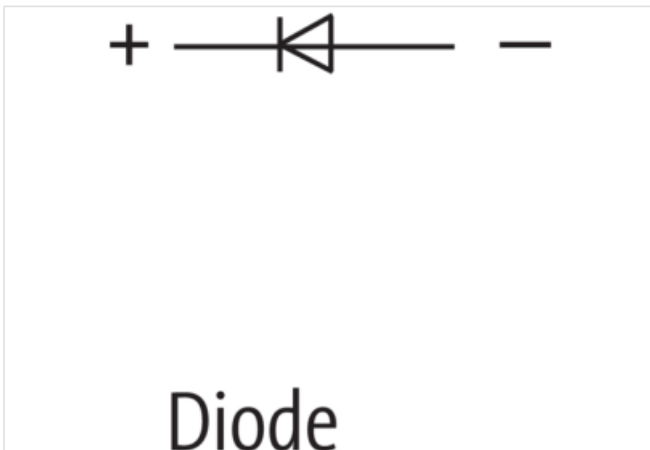
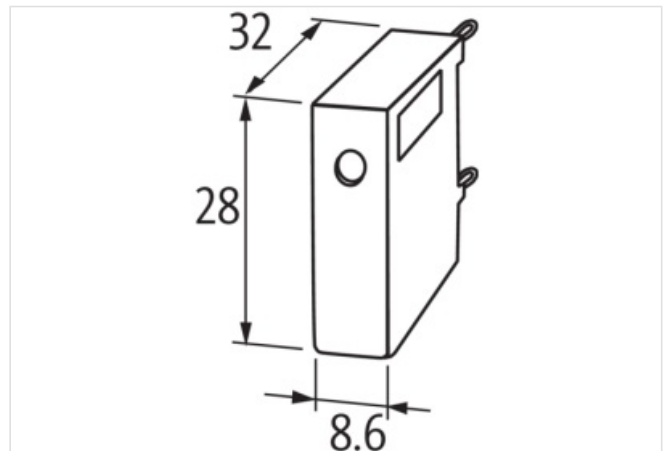
24...240 V DC

Diode

For other configurations and voltages, please inquire.

### Link to Product

#### Illustration



Product may differ from Image



#### Commercial data

Material short text	LG 12-250 VDC-S00
URL Webshop	<a href="https://shop.murrelektronik.com/26500">https://shop.murrelektronik.com/26500</a>
GTIN	4048879017640
ECLASS-6.0	27371013

ECLASS-6.1	27371013
ECLASS-7.0	27371013
ECLASS-7.1	27371013
ECLASS-8.0	27371013
ECLASS-8.1	27371013
ECLASS-9.0	27371013
ECLASS-9.1	27371013
ECLASS-10.0.1	27371013
ECLASS-10.1	27371013
ECLASS-11.0	27371013
ECLASS-11.1	27371013
ECLASS-12.0	27371013
ECLASS-13.0	27371013
ECLASS-14.0	27371013
ETIM-5.0	EC002498
ETIM-6.0	EC002498
ETIM-7.0	EC002498
ETIM-8.0	EC002498
customs tariff number	85363010
EAN	4048879017640
Packaging unit	1

**Electrical data | Input**

Input voltage DC min.	12 V
Input voltage DC max.	240 V

**Mechanical data | Mounting data**

Height	28 mm
Width	8,6 mm
Depth	32 mm

**Environmental characteristics | Climatic**

Operating temperature min.	-20 °C
Operating temperature max.	70 °C