

SUPPRESSOR FOR SIEMENS CONTACTOR

Diode combination, 24 VDC, 36 W

Art.No.: 26284

Weight: 0.010 kg

Country of origin: CZ

Model designation: LG-S 01 N Z/24

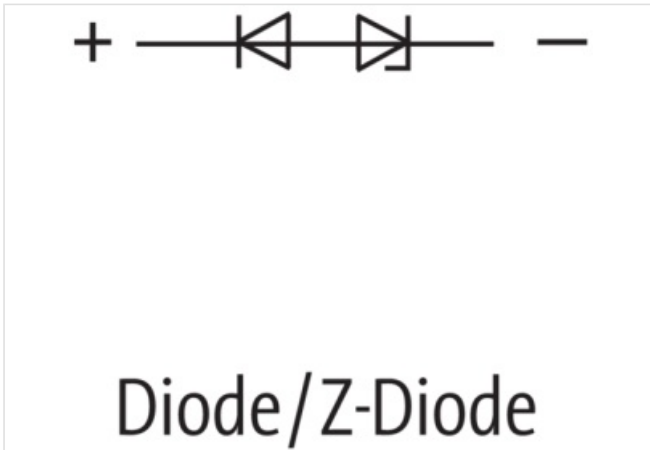
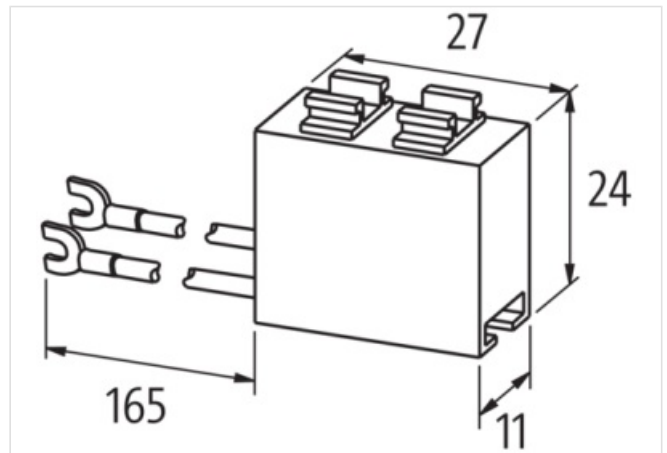
24 V DC

Diode/Z-Diode

For other configurations and voltages, please inquire.

Link to Product

Illustration



Product may differ from Image



Commercial data

Material short text	LG-S 01 N Z/24
URL Webshop	https://shop.murrelektronik.com/26284
GTIN	4048879018012
ECLASS-6.0	27371013

ECLASS-6.1	27371013
ECLASS-7.0	27371013
ECLASS-7.1	27371013
ECLASS-8.0	27371013
ECLASS-8.1	27371013
ECLASS-9.0	27371013
ECLASS-9.1	27371013
ECLASS-10.0.1	27371013
ECLASS-10.1	27371013
ECLASS-11.0	27371013
ECLASS-11.1	27371013
ECLASS-12.0	27371013
ECLASS-13.0	27371013
ECLASS-14.0	27371013
ETIM-5.0	EC002498
ETIM-6.0	EC002498
ETIM-7.0	EC002498
ETIM-8.0	EC002498
customs tariff number	85363010
EAN	4048879018012
Packaging unit	1

Electrical data

Damping factor	1.5x UN
----------------	---------

Electrical data | Input

Input voltage DC min.	12 V
Input voltage DC max.	30 V

Installation | Connection

Connection information	self-securing cable forks
------------------------	---------------------------

Device protection | Media

Flame resistance	flame retardant
------------------	-----------------

Mechanical data | Material data

Material housing	Plastic
Combustibility class housing (UL94)	V-0

Mechanical data | Mounting data

Height	11 mm
Width	27 mm
Depth	24 mm

Environmental characteristics | Climatic

Operating temperature min.	-20 °C
Operating temperature max.	70 °C