

SIEMENS CONTACTOR SUPPRESSOR

Diode, 0...240VDC

Art.No.: 26050

Weight: 0.010 kg

Country of origin: CZ

Model designation: LG-S 01/220

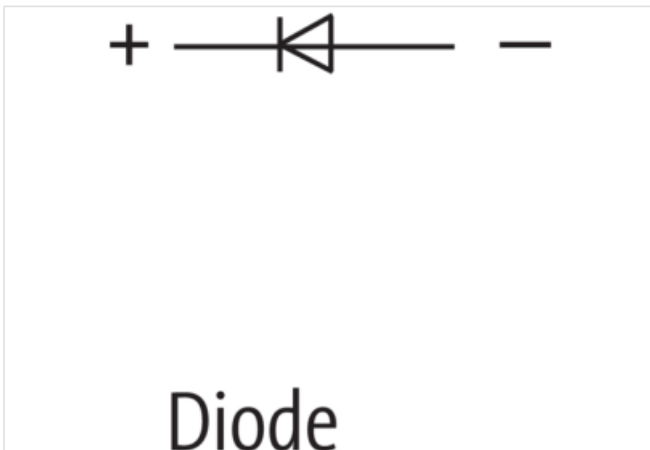
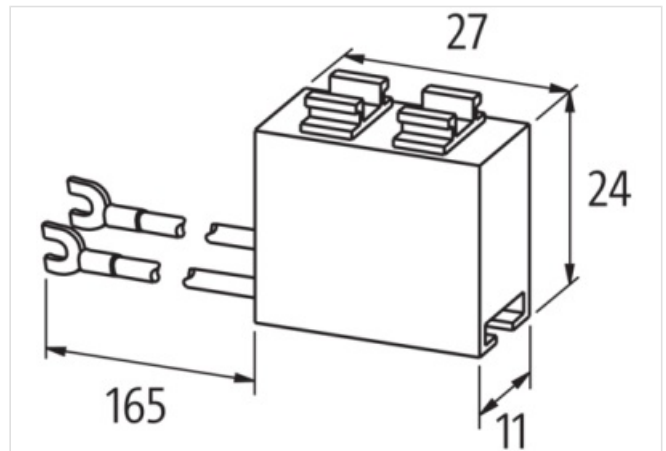
48 V AC/DC

Diode

For other configurations and voltages, please inquire.

Link to Product

Illustration



Product may differ from Image



Commercial data

| | |
|---------------------|---|
| Material short text | LG-S 01/220 |
| URL Webshop | https://shop.murrelektronik.com/26050 |
| GTIN | 4048879018494 |
| ECLASS-6.0 | 27371013 |

| | |
|-----------------------|---------------|
| ECLASS-6.1 | 27371013 |
| ECLASS-7.0 | 27371013 |
| ECLASS-7.1 | 27371013 |
| ECLASS-8.0 | 27371013 |
| ECLASS-8.1 | 27371013 |
| ECLASS-9.0 | 27371013 |
| ECLASS-9.1 | 27371013 |
| ECLASS-10.0.1 | 27371013 |
| ECLASS-10.1 | 27371013 |
| ECLASS-11.0 | 27371013 |
| ECLASS-11.1 | 27371013 |
| ECLASS-12.0 | 27371013 |
| ECLASS-13.0 | 27371013 |
| ECLASS-14.0 | 27371013 |
| ETIM-5.0 | EC002498 |
| ETIM-6.0 | EC002498 |
| ETIM-7.0 | EC002498 |
| ETIM-8.0 | EC002498 |
| customs tariff number | 85363010 |
| EAN | 4048879018494 |
| Packaging unit | 1 |

Electrical data

| | |
|--------------------|---------|
| Damping factor | 1.5× UN |
| Holding power max. | 15 W |

Electrical data | Input

| | |
|-----------------------|-------|
| Input voltage DC min. | 12 V |
| Input voltage DC max. | 250 V |

Installation | Connection

| | |
|------------------------|---------------------------|
| Connection information | self-securing cable forks |
|------------------------|---------------------------|

Device protection | Media

| | |
|------------------|-----------------|
| Flame resistance | flame retardant |
|------------------|-----------------|

Mechanical data | Material data

| | |
|-------------------------------------|---------|
| Material housing | Plastic |
| Combustibility class housing (UL94) | V-0 |

Mechanical data | Mounting data

| | |
|--------|-------|
| Height | 11 mm |
| Width | 27 mm |
| Depth | 24 mm |

Environmental characteristics | Climatic

| | |
|----------------------------|--------|
| Operating temperature min. | -20 °C |
| Operating temperature max. | 70 °C |