

SIEMENS CONTACTOR SUPPRESSOR

RC, 110VAC/DC

Art.No.: 22051

Weight: 0.011 kg

Country of origin: CZ

Model designation: RC-S01/48-127 V

48 V AC/DC

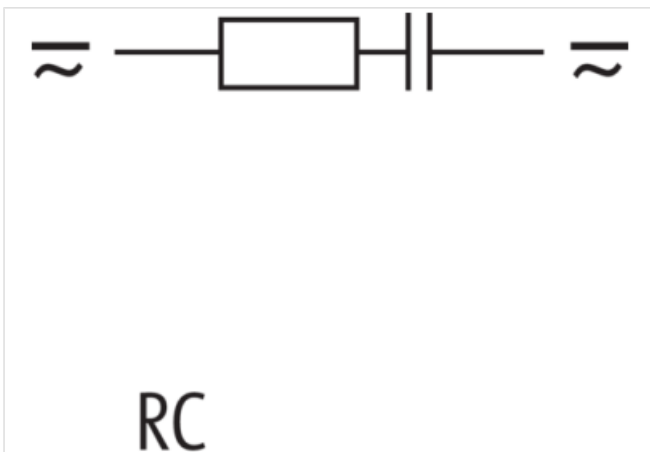
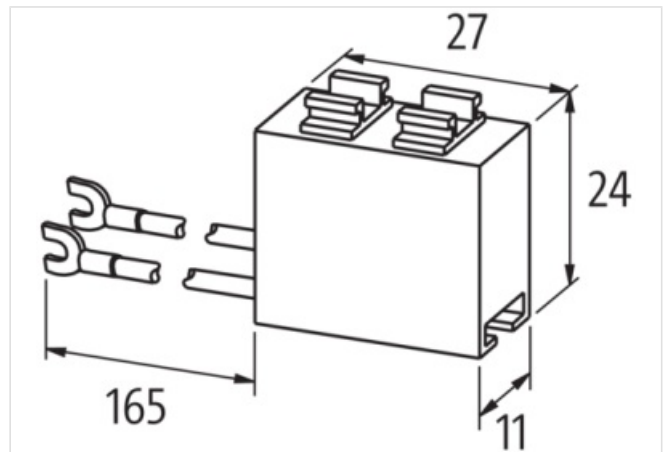
110 V AC/DC

RC

For other configurations and voltages, please inquire.

[Link to Product](#)

Illustration



Product may differ from Image



Commercial data

Material short text RC-S01/48-127 V

URL Webshop <https://shop.murrelektronik.com/22051>

GTIN 4048879019798

ECLASS-6.0	27371013
ECLASS-6.1	27371013
ECLASS-7.0	27371013
ECLASS-7.1	27371013
ECLASS-8.0	27371013
ECLASS-8.1	27371013
ECLASS-9.0	27371013
ECLASS-9.1	27371013
ECLASS-10.0.1	27371013
ECLASS-10.1	27371013
ECLASS-11.0	27371013
ECLASS-11.1	27371013
ECLASS-12.0	27371013
ECLASS-13.0	27371013
ECLASS-14.0	27371013
ETIM-5.0	EC002498
ETIM-6.0	EC002498
ETIM-7.0	EC002498
ETIM-8.0	EC002498
customs tariff number	85363010
EAN	4048879019798
Packaging unit	1

Electrical data

Damping factor	1.5× UN
----------------	---------

Electrical data | Input

Input voltage AC min.	48 V
Input voltage AC max.	127 V
Input voltage DC min.	48 V
Input voltage DC max.	127 V

Installation | Connection

Connection information	self-securing cable forks
------------------------	---------------------------

Device protection | Media

Flame resistance	flame retardant
------------------	-----------------

Mechanical data | Material data

Material housing	Plastic
Combustibility class housing (UL94)	V-0

Mechanical data | Mounting data

Height	11 mm
Width	27 mm
Depth	24 mm

Environmental characteristics | Climatic

Operating temperature min.	-20 °C
Operating temperature max.	70 °C