

## SUPPRESSOR FOR CONTACTORS

RC, 400 VAC/DC, 25 VA

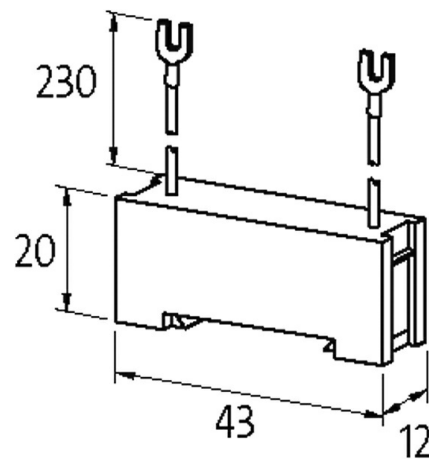
400 V AC/DC

RC

For other configurations and voltages, please inquire.

### [Link to Product](#)

Illustration



RC

Product may differ from Image

#### Approvals



#### Technical Data

max. power (W)

25 W (VA)

General data	
Dimensions H×W×D	20×43×12 mm
Temperature range	-20...+70 °C
Appropriate contactors	
	universal
Commercial data	
country of origin	CZ
customs tariff number	85363010
EAN	4048879020619
eClass	27371013
Packaging unit	1