

CAP FOR D-BOX M12 8-WAY 5-POLE

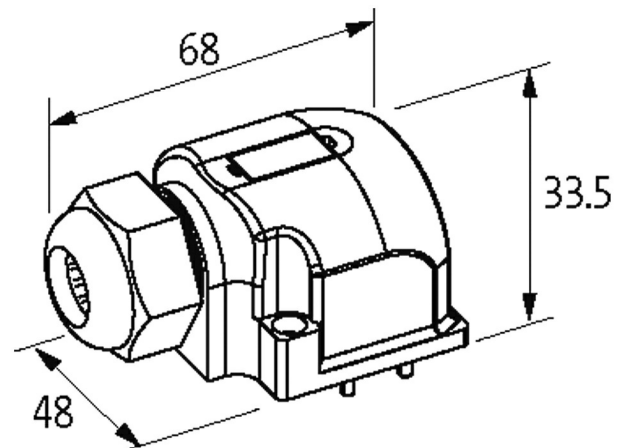
Pot.-sep. 20m PUR/PVC, 16x0,34+5X0.75

for 8-way distribution boxes, 5-pole
potentially separated

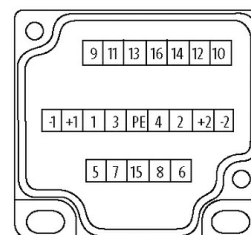
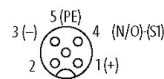
Further cable lengths on request.

Plastic housings with good resistance against chemicals and oils.

The resistance to aggressive media should be individually tested for your application. Further details on request.

[Link to Product](#)**Illustration**

M12-Females 5-pole



for 2 signals per port

Product may differ from Image

Technical Data

The information in this brochure has been compiled with the utmost care.

Liability for the correctness completeness and topicality of the information is restricted to gross negligence. Version: 05/21

Housing	Plastic, flame retardant
Total current	max. 8 A
General data	
Temperature range	-20...+80 °C, depending on cable quality
Cables	
Cable number	404
No./diameter of wires	16× 0.34 + 5× 0.75 mm ²
Wire isolation	PVC
C-track properties	1.5 Mio.
Jacket Color	gray
Material (jacket)	PUR/PVC
Material (wire)	Cu wire, bare
Resistor (core)	max. 57 Ω/km (0.34 mm ²), max. 26 Ω/km (0.75 mm ²); (20 °C)
Outer Ø	12.5 mm ±5%
Bend radius (fixed)	10× outer Ø
Bend radius (moving)	12× outer Ø
Temperature range (fixed)	-30...+80 °C
Temperature range (mobile)	-30...+80 °C
Commercial data	
country of origin	CZ
customs tariff number	85444290
EAN	4048879053600
eClass	27143423
Packaging unit	1