

**PRE-WIRED CAP FOR EXACT8, 8XM8, 3 POLE**

15.0m PUR/PVC 8x0,34+2x0,75

for 8-way distribution box, 3-pole

Further cable lengths on request.

Plastic housings with good resistance against chemicals and oils.

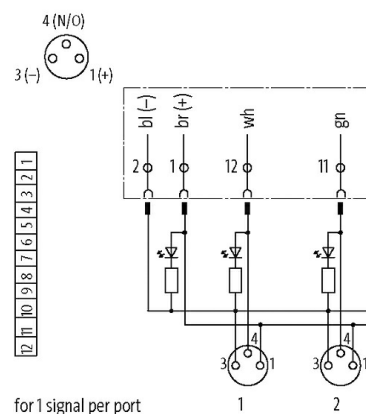
The resistance to aggressive media should be individually tested for your application. Further details on request.

PUR/PVC

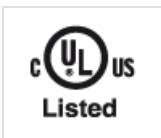
15.0 m

[Link to Product](#)**Illustration**

M8-Females 3-pole



Product may differ from Image

**Approvals****Technical Data**

Housing	Plastic, flame retardant
Total current	max. 8 A

**General data**

Temperature range	-20...+80 °C, depending on cable quality
-------------------	--

**Cables**

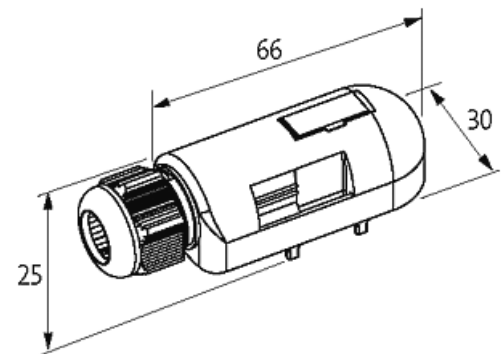
Cable number	357
No./diameter of wires	8 x 0.34 + 2 x 0.75 mm <sup>2</sup>

Wire isolation	PVC (vi, bk, rd, pk, gr, ye, gn, wh+br, bl)
C-track properties	2 Mio.
Jacket Color	gray
Material (jacket)	PUR/PVC
Outer Ø	8.6 mm ±5%
Bend radius (fixed)	5× outer Ø
Bend radius (moving)	10× outer Ø
Temperature range (fixed)	-30...+80 °C
Temperature range (mobile)	-5...+60 °C
Color (jacket)	gray

#### Commercial data

country of origin	CZ
customs tariff number	85444290
EAN	4048879054560
eClass	27143423
Packaging unit	1

#### Sketch



Product may differ from Image