

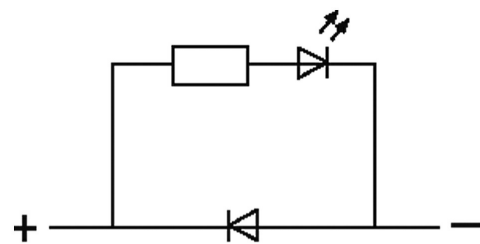
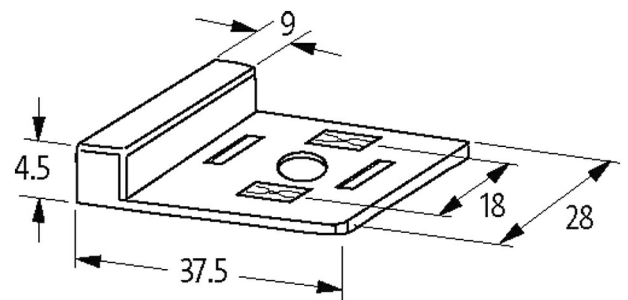
**EMC-SUPPRESSORS FOR VALVE PLUG**

Diode and LED, 24VDC/60VA/W

24 V AC/DC

Diode + LED (green)

Remove plug gasket when fitting adapter. Other LED colors on request.

[Link to Product](#)**Illustration**

LED + Diode

Product may differ from Image

**Technical Data**

Pin spacing	Form A (18 mm)
Switch off peak	1 V
Switch off delay time	max. 200 ms
max. power (W)	max. 60 W (VA)
LED display	(yellow opac)

The information in this brochure has been compiled with the utmost care.  
 Liability for the correctness completeness and topicality of the information is restricted to gross negligence. Version: 05/21

Material PUR

**General data**

Temperature range	-20...+60 °C
Dimensions H×W×D	4.5×37.5×28 mm
Material (contact)	Silvered bronze

**Commercial data**

country of origin	DE
customs tariff number	85363010
EAN	4048879011310
eClass	27371013
Packaging unit	1