

EMC SUPPRESSOR FOR MOTOR

RC 3 R-575/4, M16x1,5/ AWG 20/VDR"

3× 575 V AC

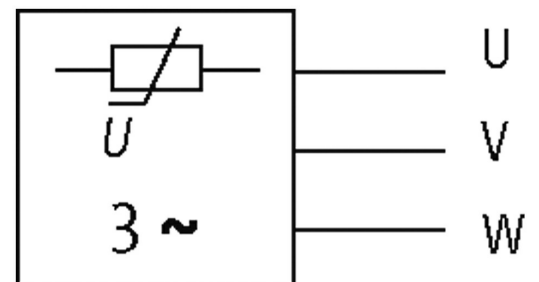
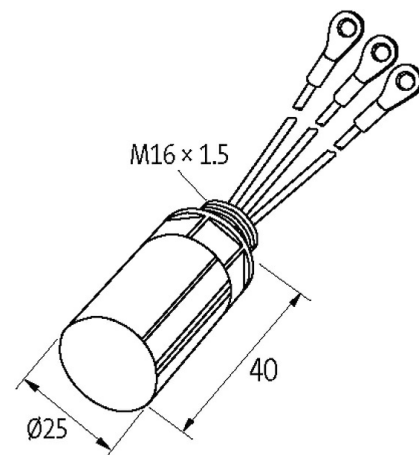
VDR

M16×1.5 mm

Suppressors for other voltages, frequencies, and motor ratings available on request. Do not use RC motor suppressors with frequency inverters.

[Link to Product](#)

Illustration



VDR

Product may differ from Image

Technical Data

Material	Flame retardant plastic acc. to (UL 94)
Potting compound	2-component epoxy
Ring terminals	isolated M4

General data

Connection	approx. 100 mm, single cores 0.5 mm ²
Mounting method	on motor terminal box with plug connector
Temperature range	-20...+60 °C

The information in this brochure has been compiled with the utmost care.
Liability for the correctness completeness and topicality of the information is restricted to gross negligence. Version: 05/21

Dimensions H×W×D 25×25×40 mm

Commercial data

country of origin	CZ
customs tariff number	85363010
EAN	4048879015035
eClass	27371013
Packaging unit	10