

EMPARRO CAP BUFFER MODULE

IN: 24VDC OUT: 24VDC/20A for max. 1A/40s

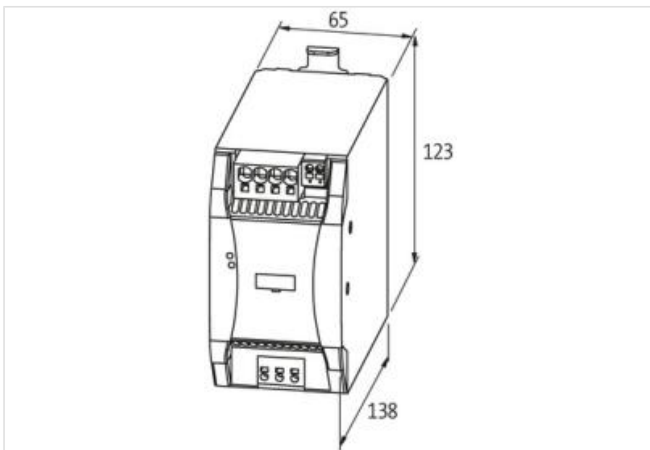
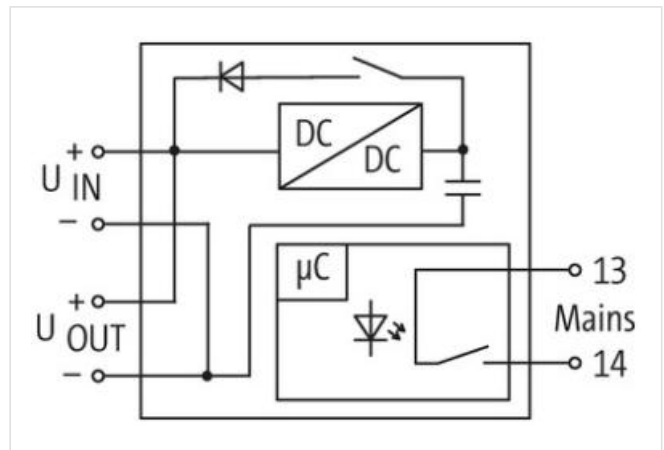
INPUT: 24 V DC (SELV/PELV)

OUTPUT: max. 20 A

1.0 s (20 A); 40 s (1 A)

[Link to Product](#)

Illustration



Product may differ from Image



General data

Standards	EN 61000-6-2, EN 61000-6-4
Mounting method	DIN-rail mountable TH35-7.5/TH35-15 (EN 60715)
Temperature range	-40...+60 °C (storage temperature -40...+60 °C)
Efficiency	min. 90%
Dimensions HxWxD	123x65x138 mm

Output

Output voltage	25.5...19 V DC $\pm 2\%$
Parallel circuit	possible
Current limit	65 A
Buffer time	1.0 s (20 A); 40 s (1 A)
Output current	max. 20 A

Input

Input voltage	21.6...26.4 V DC
Inrush current	max. 25 A
Loading current	max. 3 A
Loading time	max. 75 s

Article No.	85458
-------------	-------