

ECO-POWER POWER SUPPLY 1-PHASE,

IN: 90-264 VAC OUT: 24V/5ADC

INPUT: 100...240 V AC
 OUTPUT: 24 V DC \pm 1%
 Current: 5 A

[Link to Product](#)**Illustration**

Product may differ from Image

Input

Input voltage	100...240 V AC
Input current	2.4 A (115 V AC); 1.0 A (230 V AC)
Inrush current after 1 ms	max. 20 A
Primary fusing external	max. 16 A
Frequency	50...60 Hz

General data

Standards	EN 60950-1, EN 61204-3, EN 55011 B
Mounting method	screw fixing, M3
Efficiency	86% (115 V AC); 87% (230 V AC)
Relative humidity	20...90%, no condensation
Dimensions H×W×D	41×98×164 mm
Temperature range	0...+40 °C, ...+50 °C derating (storage temperature -20...+85 °C)

Output

Output voltage	24 V DC \pm 1%
Output current	5 A (+40 °C); 4 A (+50 °C)
Mains failure bridging time	min. 15 ms (115 V AC); min. 80 ms (230 V AC)
Ripple	max. 30 mV eff/rms
Spikes	max. 100 mV ss/pp
Unit protection	short-circuit and overload protected
LED display	LED (green) for output voltage
Parallel usage/serial usage	no/yes (max. 2 units)

Commercial data

country of origin	CN
customs tariff number	85044090
EAN	4048879080422

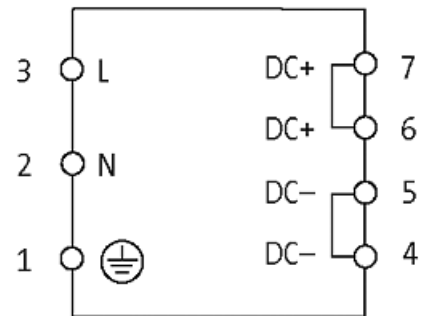
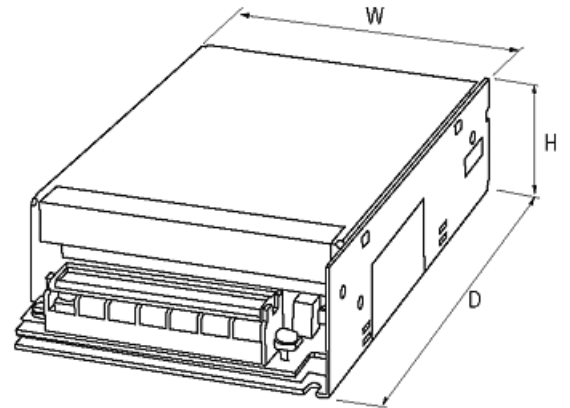
The information in this brochure has been compiled with the utmost care.

Liability for the correctness completeness and topicality of the information is restricted to gross negligence. Version: 07/20

Murrelektronik GmbH | Falkenstraße 3 | 71570 Oppenweiler | Fon +49 (71 91) 47-0 | Fax +49 (71 91) 47-491000 | shop@murrelektronik.com | shop.murrelektronik.com

eClass 27049002

Packaging unit 1

Sketch

Product may differ from Image