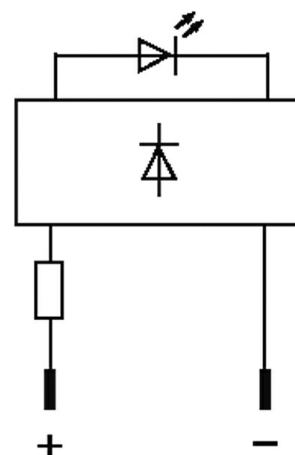
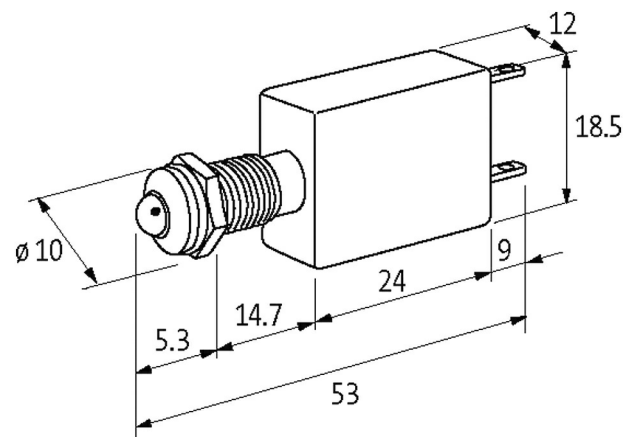


LED-INDICATOR GREEN

LED 5mm - 24V AC/DC - 15mA - IP67

(green)
24 V AC/DC
Protection IP67

[Link to Product](#)**Illustration**

Product may differ from Image

General data

LED Ø	5 mm
Front panel hole diameter Ø	8 mm
Dimensions H×W×D	18.5×12×53 mm
Connection	Faston 2.8×0.8 mm
Housing	Adapter - PVC, gray
Temperature range	-40...+70 °C

Technical Data

Operating voltage	24 V AC/DC ±15%
Current consumption	15 ±2 mA
Protection (IEC 60529/EN 60529)	IP67

Commercial data

country of origin	DE
customs tariff number	85318070
EAN	4048879040716
eClass	27261590
Packaging unit	10