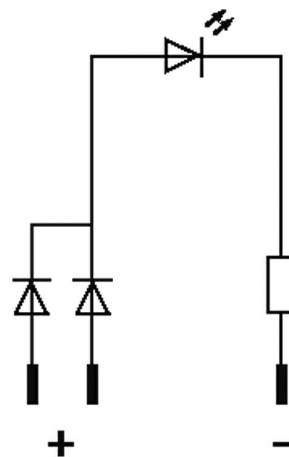
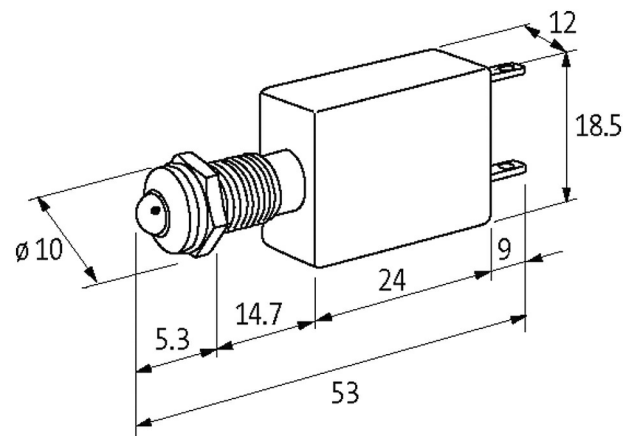


LED-display 24V DC lamp-test green

Product discontinued, no alternative

(green)
24 V DC
Protection IP40
with lamp test input

[Link to Product](#)**Illustration**

Product may differ from Image

Technical Data

The information in this brochure has been compiled with the utmost care.
Liability for the correctness completeness and topicality of the information is restricted to gross negligence. Version: 05/21

Operating voltage	24 V AC/DC \pm 15%
Current consumption	15 \pm 2 mA
Protection (IEC 60529/EN 60529)	IP40

General data

Housing	Adapter - PVC, gray
LED \varnothing	5 mm
Front panel hole diameter \varnothing	8 mm
Dimensions HxWxD	18.5x12x53 mm
Connection	Faston 2.8x0.8 mm
Temperature range	-40...+70 °C

Commercial data

country of origin	DE
customs tariff number	85318070
EAN	4048879040884
eClass	27261590
Packaging unit	10