

TREE M-5TX IP67 Lite managed Switch 5 Ports

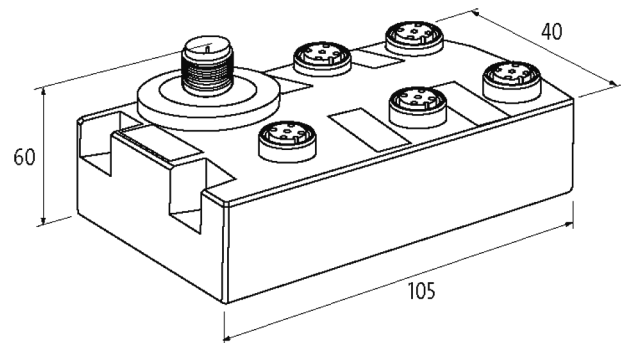
5x10/100BT IP67

5 port managed switch

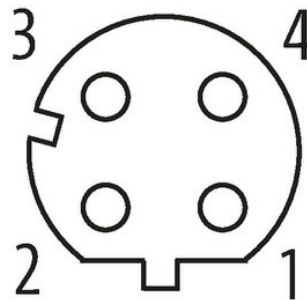
5× M12 (female), D-coded

Supply PIN 1/3

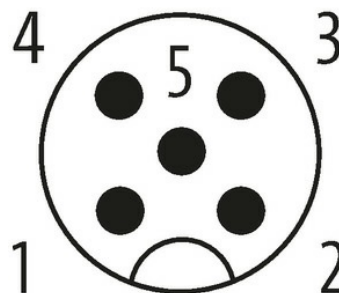
Connection cables are in the online shop under "Connection Technology".

[Link to Product](#)**Illustration**

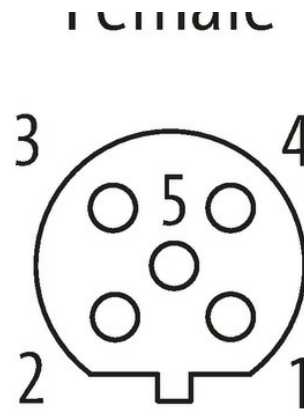
Female



Male



Female



Product may differ from Image

Approvals

Approvals

More Info

Bus technologies

Technical Data

Operating voltage	9.5...31.5 V
Transfer rate	10/100 Mbit/s full duplex
Operating modes	Autocrossing Autonegotiation

General data

Mounting method	3 hole screw mounting
Temperature range	0...+60 °C (storage temperature -40...+85 °C)
Housing	Black plastic
Protection	IP67
Dimensions H×W×D	105×60×40 mm

Connections

Fieldbus	5× M12 (female), D-coded
Supply	1× M12 (male), A-coded

Switch Management

Protocols	DHCP, SNMP (v1, v2c, v3), RSTP, STP, LLDP, NTP, RMON, SSH (CLI)
Port Mirroring	yes
VLAN (QoS) IEEE 802.p	yes
Alarm contact	no
Remote maintenance	Open VPN
Webserver	HTTP, HTTPS
Switch Form	Lite - Managed Switch

Diagnostic

Communication status	via LED, LLDP
Monitoring - no voltage	yes

Commercial data

country of origin	DE
customs tariff number	85176200
EAN	4048879718301
eClass	19170106
Packaging unit	1.000