

IMPACT67 COMPACT MODULE, PLASTIC

Profibus DP, 16 dig Out

Digital outputs

DO16 - 0.5 A

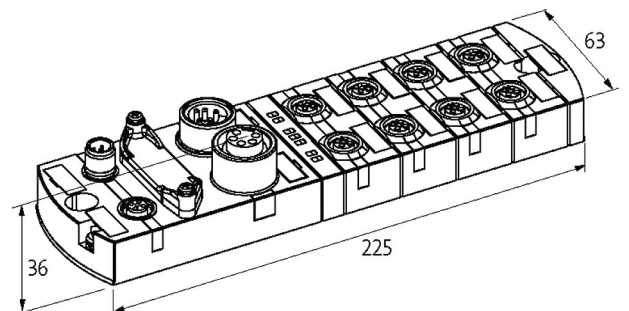
PROFIBUS 12 Mbit/s; M12, B-coded

7/8", 5-pole, 2× max. 9 A

M12, 5-pole, A-coded

Connection cables are in the online shop under "Connection Technology".

Housing fully potted.

[Link to Product](#)**Illustration**

Product may differ from Image

Approvals



More Info



PROFIBUS

Addressing Rotary switch 3...99

General data

Mounting method 2-hole screw mounting, compatible with I/O modules of MVK model range

Temperature range 0...+55 °C (storage temperature -25...+70 °C)

Protection IP67

Dimensions H×W×D 39×63×225 mm

Output

Switching current per output max. 0.5 A (short-circuit and overload protected)

Connections

Fieldbus PROFIBUS 12 Mbit/s; M12, B-coded

Sensor-system/actuator supply 7/8", 5-pole, 2× max. 9 A

I/O ports M12, 5-pole, A-coded

Diagnostic

Communication status via LED

Diagnostic via LED per module and channel

Diagnostic via BUS per module and channel

Monitoring - under voltage yes

Monitoring - no voltage yes

Short-circuit and overload yes

Commercial data

country of origin CZ

customs tariff number 85389099

EAN 4048879051217

eClass 27242604

Packaging unit 1.000