

IMPACT67 COMPACT MODULE, PLASTIC

Ethercat, 16 dig In

Digital inputs

DI16

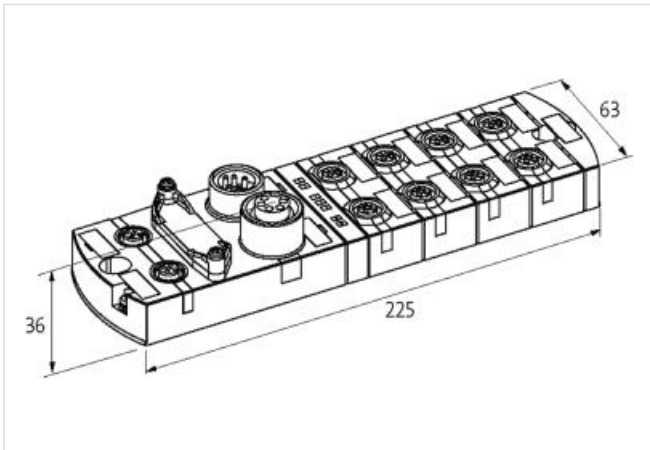
Ethernet 10/100 Mbit/s; M12, D-coded

7/8", 5-pole, 2x max. 9 A

M12, 5-pole, A-coded

Connection cables are in the online shop under "Connection Technology".

Housing fully potted.

[Link to Product](#)**Illustration**

Product may differ from Image

**General data**

Mounting method	2-hole screw mounting, compatible with I/O modules of MVK model range
Temperature range	-25...+55 °C (storage temperature -25...+70 °C)
Protection	IP67

The information in this brochure has been compiled with the utmost care.

Liability for the correctness completeness and topicality of the information is restricted to gross negligence. Version: 2022-09-26

Murrelektronik GmbH | Falkenstr. 3 | 71570 Oppenweiler | Fon +49 (71 91) 47-0 | Fax +49 (71 91) 47-491000 | shop@murrelektronik.com | shop.murrelektronik.com

Dimensions H×W×D 39×63×225 mm

Input

Sensor supply US 24 V DC (EN 61131-2), max. 200 mA (M12 female), short-circuit and overload protected

Type for 3-wire sensors or mechanical switches, PNP

Connections

Fieldbus Ethernet 10/100 Mbit/s; M12, D-coded

Sensor-system/actuator supply 7/8", 5-pole, 2× max. 9 A

I/O ports M12, 5-pole, A-coded

EtherCAT

Addressing automatic or Device ID by rotary switch

Article No. 55081

Diagnostic

Communication status via LED

Diagnostic via LED per module and channel

Diagnostic via BUS per module

Monitoring - under voltage yes

Monitoring - no voltage yes