

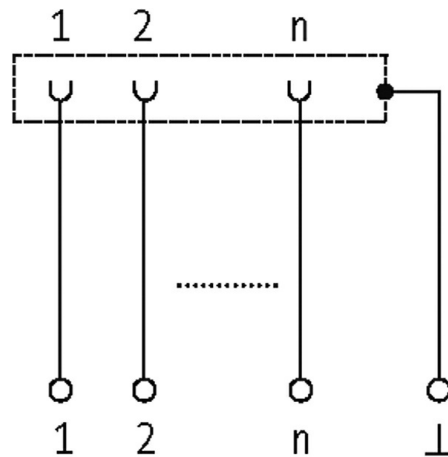
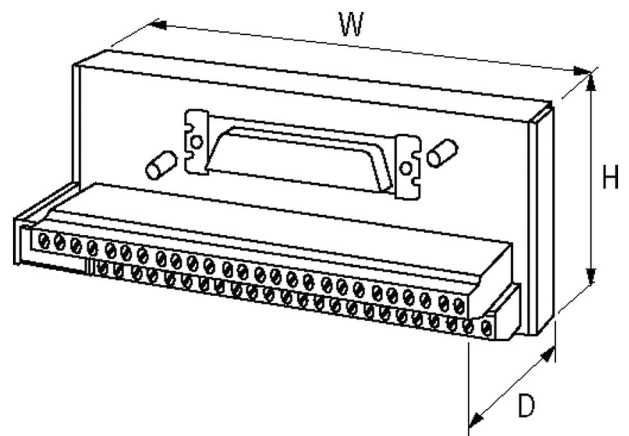
## SV-SUB D 25 .-KL FOR SIGNAL TRANSFER

125 VAC/DC / 2 A

Female connector  
25-pole  
Screw terminals

[Link to Product](#)

Illustration



Product may differ from image

#### Technical Data

Operating voltage	125 V AC/150 V DC
Operating current per bit	max. 2 A
Material group	EN 60664-1 over voltage, category II
Locking of ports	Standard UNC 4-40 screw thread bolt (EN 60807)

#### General data

Mounting method	DIN-rail mountable (EN 60715)
Temperature range	-20...+70 °C

The information in this brochure has been compiled with the utmost care.  
Liability for the correctness completeness and topicality of the information is restricted to gross negligence. Version: 02/21

Dimensions H×W×D 63×95×48 mm

**Commercial data**

country of origin	CZ
customs tariff number	85366990
EAN	4048879026475
eClass	27143424
Packaging unit	1