

AMS 3-10/44-2 OPTO-COUPLER MODULE

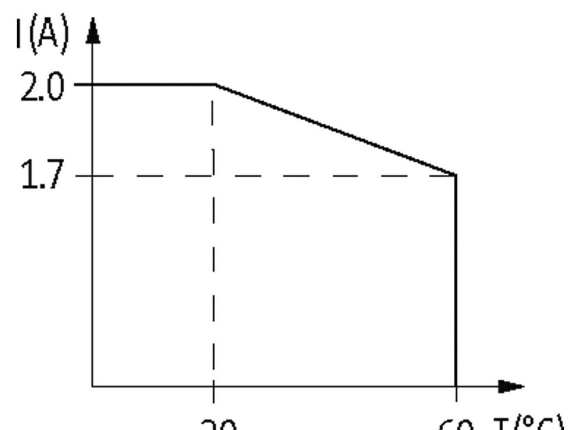
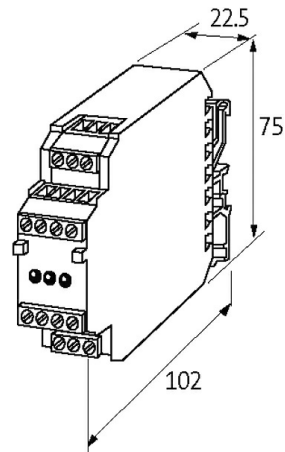
IN: 53 VDC - OUT: 35 VDC / 2 A

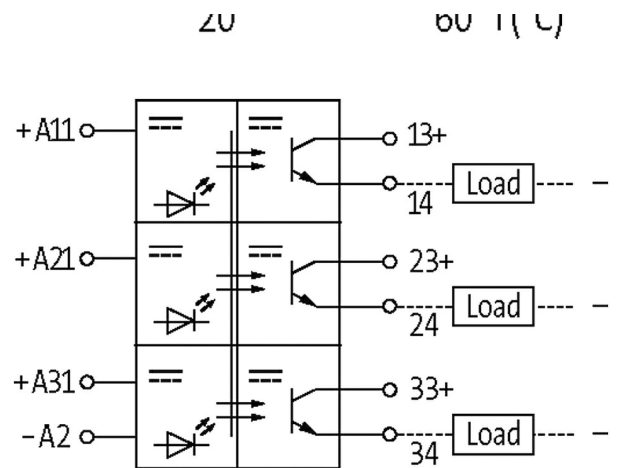
Transistor 2 A (3-way)

3 NO contacts

24 V DC

Control voltage 230 V AC on request

[Link to Product](#)**Illustration**



common negative for all 3 inputs = -A2

Product may differ from Image

General data

Test isolation voltage	2.5 kV
Mounting method	DIN-rail mountable TH35 or G32 (EN 60715)
Housing	Black plastic, flame retardant
Temperature range	-20...+60 °C
Dimensions H×W×D	75×22.5×85 mm

Output

Switching voltage	4.5...35 V DC
Switching current per output	10 mA...2 A (short-circuit protected)
Saturation voltage (across output)	max. 0.5 V DC
Leakage current (output is open)	max. 0.3 mA
Switching time ON/OFF	2/15 ms
Switching frequency	max. 10/1 Hz (resist./ind.)

Input

Voltage range ON	10...53 V DC
Voltage range OFF	0...3 V DC
Input current	10 mA
LED display	LED (red)

Commercial data

country of origin	CZ
customs tariff number	85414090
EAN	4048879028035
eClass	27371604
Packaging unit	1