

**D/A-CONVERTER 8-BIT - OUTPUT 0 ... 10V**

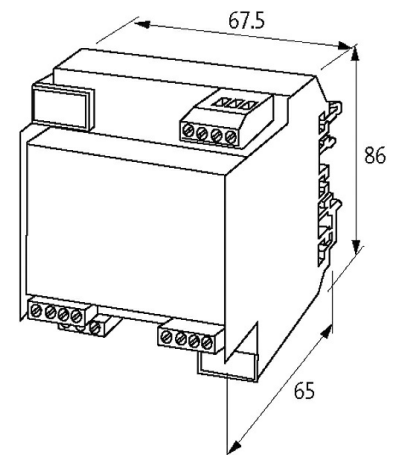
IN: 8 Bit - OUT: 0-10 VDC

D/A converter

8 Bit

0...10 V

Input and output galvanically separated

[Link to Product](#)**Illustration**

Product may differ from Image

**Technical Data**

Operating voltage	21...30 V DC, smoothed (with LED)
Operating current	100 mA (idle load), max. 150 mA (full load)
Tolerance	±1%
Release input E	log 1 ≥ 16 V, log 0 ≤ 6 V

**General data**

Test isolation voltage	2.5 kV
Mounting method	DIN-rail mountable (EN 60715)
Temperature range	0...+50 °C

Dimensions H×W×D 65×67.5×86 mm

#### Output

Output current max. 40 mA (0...10 V DC); max. 20 mA (0...20 mA), 4...20 mA

#### Input

Input current max. 10 mA/Bit

Input signal 0...30 V DC (with LED display)

#### Description

Functional description The maximum output signal of converters with voltage output can be adjusted to the operating voltage minus 2 V. The outputs are short-circuit protected and overload protected due to internal current limiting.

#### Commercial data

country of origin CZ

customs tariff number 85437090

EAN 4048879028639

eClass 27210990

Packaging unit 1