

**PASSIVE-DI0° PLASTIC,4XM12.4POL,PRE-WIRED CABLE**

3.0m PUR-JB 4\*0,34+3\*0,75

4-way, 4-pole

PUR/PVC

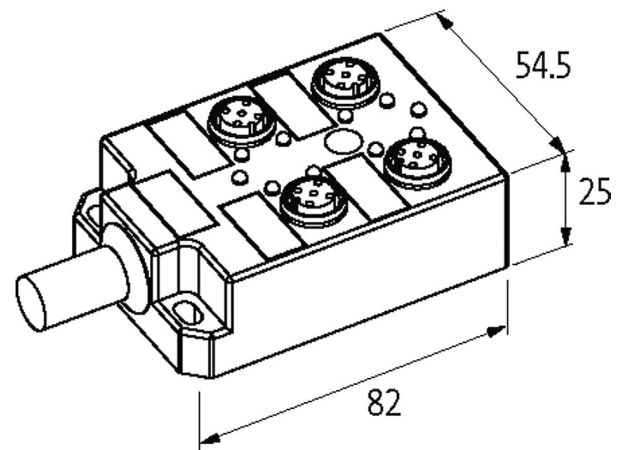
3.0 m

with LED for digital PNP-signals 24 V DC

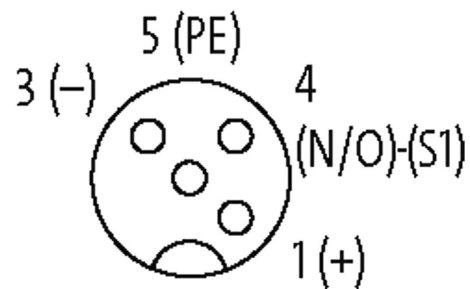
Further cable lengths on request.

[Link to Product](#)

Illustration



## M12 Females 4-pole



Product may differ from Image

### Technical Data

|                               |                         |
|-------------------------------|-------------------------|
| Operating voltage             | 24 V DC                 |
| Operating current per contact | max. 4 A                |
| Total current                 | max. 10 A               |
| Signal per port               | 1 - (31-32)             |
| Locking of ports              | Screw thread (M12×1 mm) |

### General data

|                   |  |
|-------------------|--|
| Protection        | IP67 inserted and tightened (EN 60529) |
| Dimensions H×W×D  | 82×54.5×25 mm                          |
| Temperature range | -20...+80 °C                           |

| Cables                                  |  |
|---|--|
| Cable number                            | 333  |
| No./diameter of wires                   | 4× 0.34 + 3× 0.75 mm <sup>2</sup>  |
| Wire isolation                          | PVC  |
| C-track properties                      | 2 Mio.   |
| Jacket Color                            | gray   |
| Material (jacket)                       | PUR/PVC  |
| Outer Ø                                 | 7.4 mm ±5%   |
| Bend radius (moving)                    | 12× outer Ø  |
| Temperature range (fixed)               | -30...+80 °C   |
| Temperature range (mobile)              | -5...+70 °C  |
| Cable identification                    | 333  |
| Cable Type                              | 2 (PUR/PVC)  |
| Approval (cable)                        | UL (AWM-Style 21441/10955), CE conform   |
| Cable weight [g/m]                      | 91,3   |
| Material (wire)                         | Cu wire, bare  |
| Resistor (core)                         | max. 57 Ω/km (0.34 mm <sup>2</sup> ), max. 26 Ω/km (0.75 mm <sup>2</sup> ); (20 °C)                  |
| Single wire Ø (core)                    | 0.15 mm (0.34 mm <sup>2</sup> ); 0.2 mm (0.75 mm <sup>2</sup> )                                      |
| Construction (core)                     | 19× 0.15 mm (0.34 mm <sup>2</sup> ); 24× 0.2 mm (0.75 mm <sup>2</sup> ); (multi-strand wire class 5) |
| Diameter (core)                         | 4× 0.34 + 3× 0.75 mm <sup>2</sup>  |
| AWG                                     | similar to AWG 22 (0.34 mm <sup>2</sup> ); similar to AWG 18 (0.75 mm <sup>2</sup> )                 |
| Material (wire isolation)               | PVC  |
| Material property (wire isolation)      | CFC-, cadmium-, silicone- and lead-free  |
| Shore hardness (wire isolation)         | 43 ±5 D  |
| Wire-Ø incl. isolation                  | 1.3 mm ±5% (0.34 mm <sup>2</sup> ); 1.8 mm ±5% (0.75 mm <sup>2</sup> )                               |
| Color/numbering of wires                | wh, gn, ye, gr+br, bl, gnye longitudinally striped   |
| Shield                                  | no   |
| Material (jacket)                       | PUR/PVC  |
| Shore hardness (jacket)                 | 87 ±5 A  |
| Outer-Ø (jacket)                        | 7.4 mm ±5%   |
| Color (jacket)                          | gray   |
| chemical resistance                     | good resistance to oil, gasoline and chemicals (EN 60811-404)  |
| Nominal voltage                         | U0/U 300/300 V AC  |
| Test voltage                            | 2000 V AC  |
| Current load capacity                   | to DIN VDE 0298-4  |
| Temperature range (fixed)               | -30...+80 °C   |
| Temperature range (mobile)              | -5...+70 °C  |
| Bend radius (fixed)                     | 5× outer Ø   |
| Bend radius (moving)                    | 12× outer Ø  |
| No. of bending cycles (C-track)         | max. 2 Mio. (25 °C)  |
| Traversing distance (C-track)           | max. 5 m (horizontal)  |
| Travel speed (C-track)                  | max. 2 m/s   |
| Acceleration (C-track)                  | max. 10 m/s <sup>2</sup>   |
| Contact Layout                          |  |
| PIN 1                                   | (+)  |
| PIN 3                                   | (-)  |
| PIN 4                                   | (NO)/(S1)  |
| PIN 5                                   | (Earth)  |
| LED (green): Power / LED (yellow): (S1) |  |

**Commercial data**

|                       |               |
|-----------------------|---------------|
| country of origin     | CZ            |
| customs tariff number | 85444290      |
| EAN                   | 4048879062893 |
| eClass                | 27279219      |
| Packaging unit        | 1             |