

UNIVERSAL CONTACTOR SUPPRESSOR

Varistor, 24VAC/DC

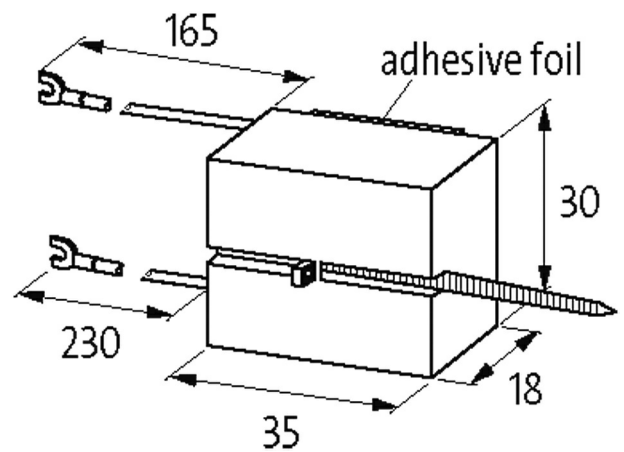
24 V AC/DC

VDR

For other configurations and voltages, please inquire.

[Link to Product](#)

Illustration



VDR

Product may differ from Image

Approvals



Technical Data

Damping factor approx. 1.5× UN

Material	Flame retardant plastic acc. to (UL 94)
Connection wires	self-securing cable forks
max. power (W)	200 W (VA)
General data	
Dimensions H×W×D	35×30×18 mm
Temperature range	-20...+70 °C
Appropriate contactors	
	universal
Commercial data	
country of origin	CZ
customs tariff number	85363010
EAN	4048879017213
eClass	27371013
Packaging unit	1