

SIEMENS CONTACTOR SUPPRESSOR

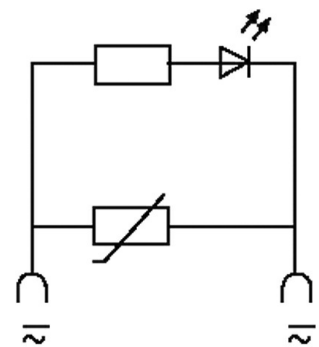
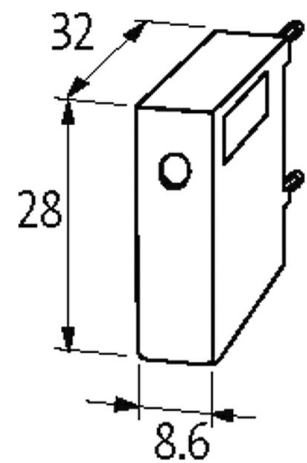
Varistor and LED, 230VAC/DC

230 V AC/DC

VDR + LED

[Link to Product](#)

Illustration



VDR + LED

Product may differ from Image

Approvals



General data

Dimensions H×W×D 28×8.6×32 mm

Appropriate contactors

Appropriate contactors	3 RH 1/11; 3 RT 1/3 RH1; 3 RT 1/10.15...10.17
------------------------	---

Commercial data

country of origin	DE
customs tariff number	85363010
EAN	4048879017565
eClass	27371013
Packaging unit	1