

ALLEN-BRADLEY CONTACTOR SUPPRESSOR

Varistor, 24VAC/DC

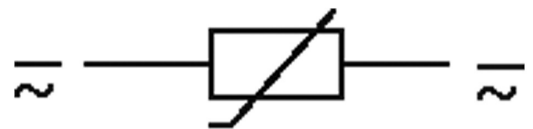
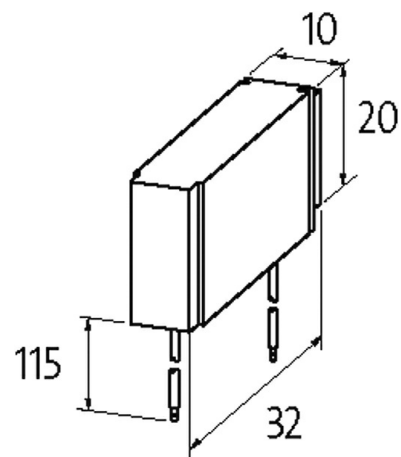
24 V AC/DC

VDR

For other configurations and voltages, please inquire.

[Link to Product](#)

Illustration



VDR

Product may differ from Image

Approvals



General data

Dimensions H×W×D 20×10×32 mm

Temperature range -20...+70 °C

Technical Data

Damping factor	approx. 1.5× UN
Material	Flame retardant plastic acc. to (UL 94)
Connection wires	flexible connection wires

Appropriate contactors

100-M

Commercial data

country of origin	CZ
customs tariff number	85363010
EAN	4048879017848
eClass	27371013
Packaging unit	1