

## SIEMENS CONTACTOR SUPPRESSOR

Diode, 0...240VDC

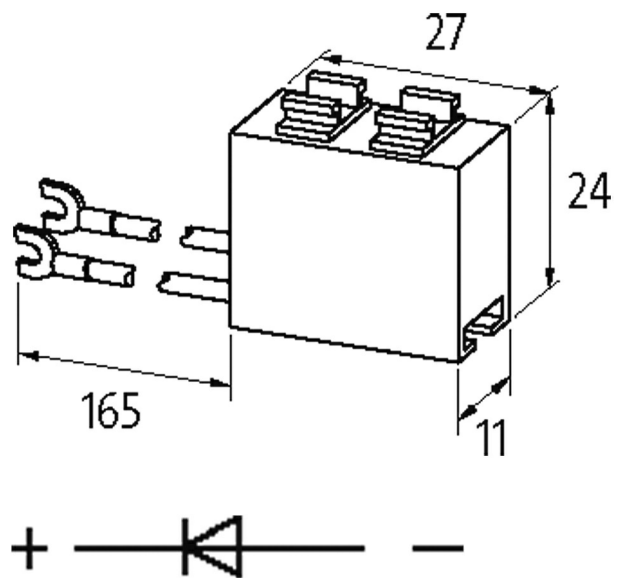
48 V AC/DC

Diode

For other configurations and voltages, please inquire.

[Link to Product](#)

Illustration



## Diode

Product may differ from Image

### Approvals



### Technical Data

max. power (W)	15 W
----------------	------

Damping factor	approx. 1.5× UN
Material	Flame retardant plastic acc. to (UL 94)
Connection wires	self-securing cable forks

**General data**

Dimensions H×W×D	11×27×24 mm
Temperature range	-20...+70 °C

**Appropriate contactors**

3 TH 3/4/8; 3 TF 30...45; 3 TB 40...3 TB 44

**Commercial data**

country of origin	CZ
customs tariff number	85363010
EAN	4048879018494
eClass	27371013
Packaging unit	1