

SUPPRESSOR FOR SIEMENS CONTACTOR S00 MOTOR

RC, star, 3x575 VAC, 7.5 kV

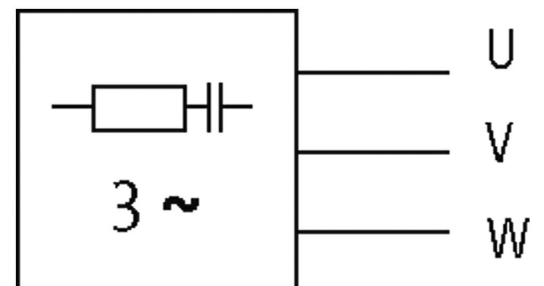
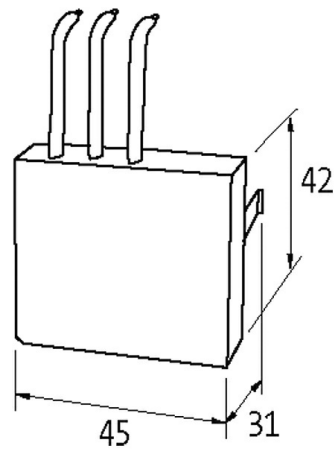
3× 575 V AC

RC

Suppressors for other voltages, frequencies, and motor ratings available on request. Do not use RC motor suppressors with frequency inverters.

[Link to Product](#)

Illustration



RC

Product may differ from Image

Approvals



Technical Data

Frequency	50...60 Hz
-----------	------------

Material	Flame retardant plastic acc. to (UL 94)
Potting compound	2-component epoxy

General data

Connection	Connection wires
Mounting method	snap on Siemens Schütz Sirius 3 RT 201 with spring connention
Temperature range	-20...+60 °C
Dimensions HxWxD	42x45x31 mm

Commercial data

country of origin	CZ
customs tariff number	85363010
EAN	4048879412742
eClass	27371013
Packaging unit	1