

## MOTOR SUPPRESSOR

Varistor, 3x690VAC/7,5kW

3× 690 V AC

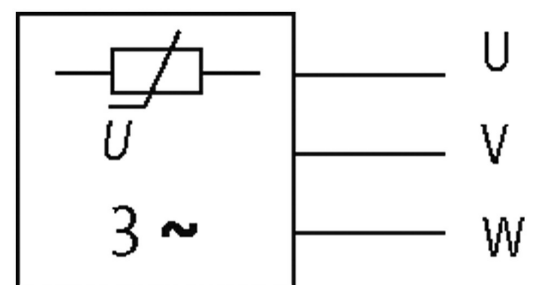
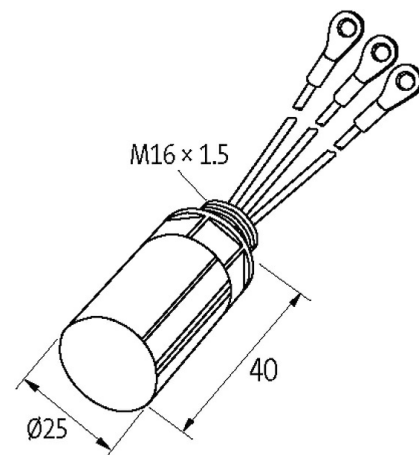
VDR

Wire diameter 1.5 mm<sup>2</sup>

Suppressors for other voltages, frequencies, and motor ratings available on request. Do not use RC motor suppressors with frequency inverters.

### [Link to Product](#)

Illustration



VDR

Product may differ from Image

#### Technical Data

Material	Flame retardant plastic acc. to (UL 94)
Potting compound	2-component epoxy
Frequency	10...400 Hz
Ring terminals	isolated M6

#### General data

Connection	approx. 100 mm, single cores 0.5 mm <sup>2</sup>
Mounting method	on motor terminal box with plug connector

The information in this brochure has been compiled with the utmost care.  
Liability for the correctness completeness and topicality of the information is restricted to gross negligence. Version: 05/21

Temperature range	-20...+60 °C
Dimensions H×W×D	25×25×40 mm

**Commercial data**

country of origin	CZ
customs tariff number	85363010
EAN	4048879018890
eClass	27371013
Packaging unit	1