

## MOTOR SUPPRESSOR

Varistor, 3x575VAC/10kW

3× 575 V AC

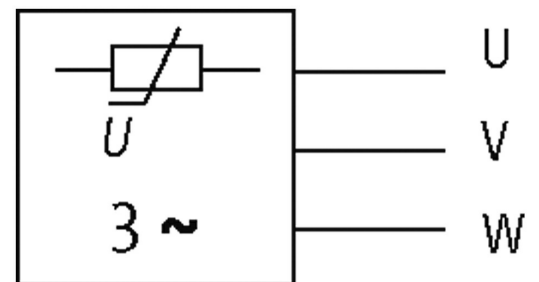
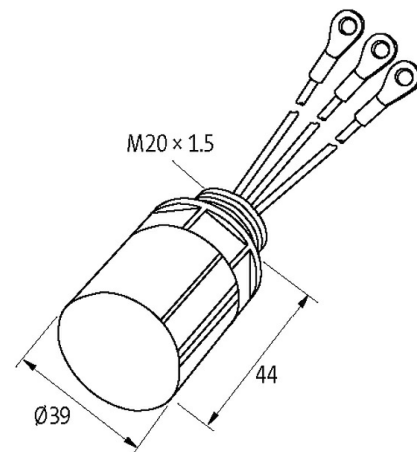
VDR

with (M20×1.5 mm) gland

Suppressors for other voltages, frequencies, and motor ratings available on request. Do not use RC motor suppressors with frequency inverters.

### [Link to Product](#)

Illustration



VDR

Product may differ from Image

## Approvals



## Technical Data

Material	Flame retardant plastic acc. to (UL 94)
Potting compound	2-component epoxy
Ring terminals	isolated M6

**General data**

Connection	approx. 150 mm, single cores 1 mm <sup>2</sup>
Mounting method	on motor terminal box with plug connector
Temperature range	-20...+60 °C
Dimensions H×W×D	39×39×44 mm

**Commercial data**

country of origin	CZ
customs tariff number	85363010
EAN	4048879019101
eClass	27371013
Packaging unit	1