

MOTOR SUPPRESSOR

RC, 3x400...575VAC/4kW

3× 400 V AC

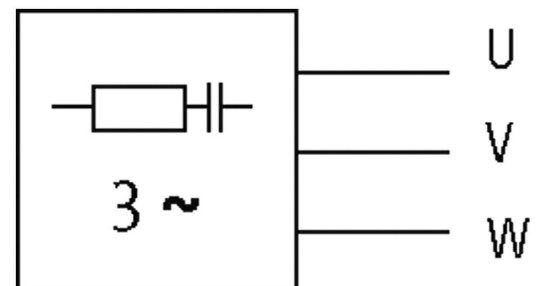
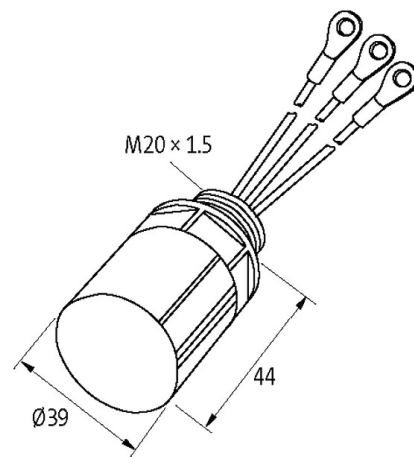
3× 575 V AC

RC

Suppressors for other voltages, frequencies, and motor ratings available on request. Do not use RC motor suppressors with frequency inverters.

[Link to Product](#)

Illustration



RC

Product may differ from Image

Approvals



Technical Data

Material	Flame retardant plastic acc. to (UL 94)
----------	---

Potting compound	2-component epoxy
------------------	-------------------

Ring terminals	isolated M6
----------------	-------------

Frequency	50..60 Hz
-----------	-----------

General data

Connection	approx. 150 mm, single cores 1 mm ²
------------	--

Mounting method	on motor terminal box with plug connector
-----------------	---

Temperature range	-20...+60 °C
-------------------	--------------

Dimensions HxWxD	39x39x44 mm
------------------	-------------

Commercial data

country of origin	CZ
-------------------	----

customs tariff number	85363010
-----------------------	----------

EAN	4048879019149
-----	---------------

eClass	27371013
--------	----------

Packaging unit	1
----------------	---