

MOTOR SUPPRESSOR

RC, 3x690VAC/10kW

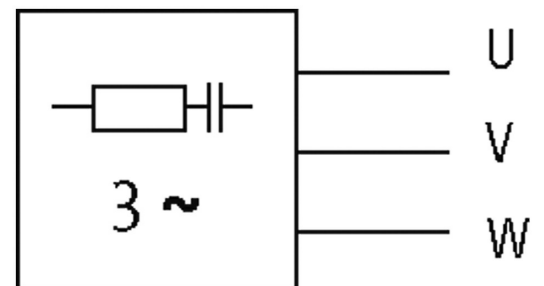
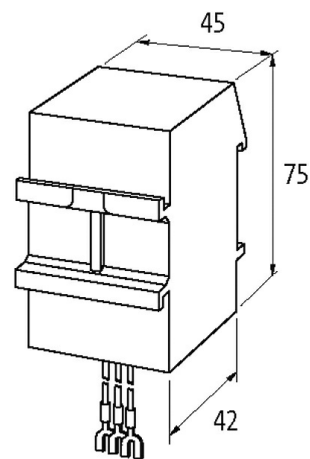
3× 690 V AC

RC

Suppressors for other voltages, frequencies, and motor ratings available on request. Do not use RC motor suppressors with frequency inverters.

[Link to Product](#)

Illustration



RC

Product may differ from Image

Technical Data

Frequency	50...60 Hz
Material	Flame retardant plastic acc. to (UL 94)
Potting compound	2-component epoxy

General data

Connection	approx. 250 mm, single cores 0.5 mm ² , with self-securing fork terminal ends M4
Dimensions HxWxD	75x45x42 mm

Temperature range -20...+60 °C

Commercial data

country of origin	CZ
customs tariff number	85363010
EAN	4048879019538
eClass	27371013
Packaging unit	1