

## MOTOR SUPPRESSOR

RC, 3x575VAC/7,5kW

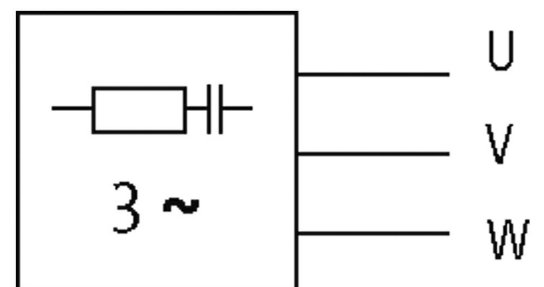
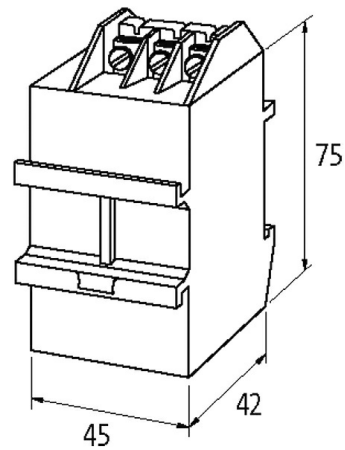
3× 575 V AC

RC

Suppressors for other voltages, frequencies, and motor ratings available on request. Do not use RC motor suppressors with frequency inverters.

### [Link to Product](#)

Illustration



RC

Product may differ from Image

#### Technical Data

Frequency	50...60 Hz
Material	Flame retardant plastic acc. to (UL 94)
Potting compound	2-component epoxy

#### General data

Connection	3-pole terminal, 2× 0.75...2.5 mm <sup>2</sup> , M4
Dimensions H×W×D	75×45×42 mm

Temperature range -20...+60 °C

**Commercial data**

country of origin	CZ
customs tariff number	85363010
EAN	4048879019606
eClass	27371013
Packaging unit	1