

## MOTOR SUPPRESSOR

RC, 3x500VAC/4kW

3× 500 V AC +10%

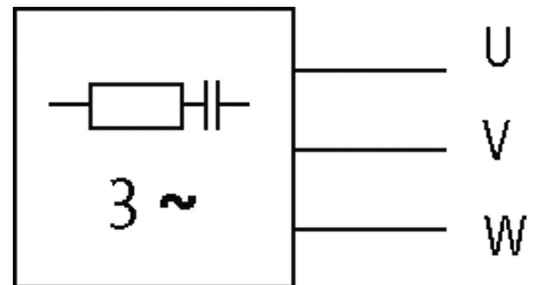
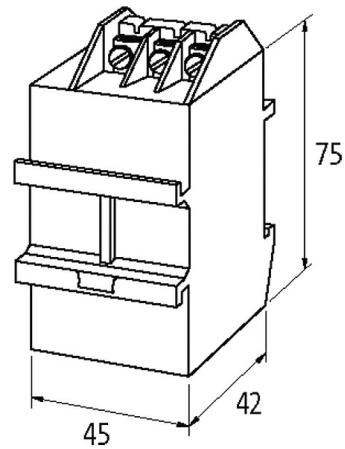
RC

Suppressors for other voltages, frequencies, and motor ratings available on request. Do not use RC motor suppressors with frequency inverters.

### [Link to Product](#)

Illustration

stay connected



RC

Product may differ from Image

#### Technical Data

Frequency	50...60 Hz
Material	Flame retardant plastic acc. to (UL 94)
Potting compound	2-component epoxy

#### General data

Dimensions H×W×D	75×45×42 mm
Connection	3-pole terminal, 2× 0.75...2.5 mm <sup>2</sup> , M4
Temperature range	-20...+60 °C

#### Commercial data

The information in this brochure has been compiled with the utmost care.  
Liability for the correctness completeness and topicality of the information is restricted to gross negligence. Version: 01/20

Murrelektronik GmbH | Falkenstraße 3 | 71570 Oppenweiler | Fon +49 (71 91) 47-0 | Fax +49 (71 91) 47-491000 | shop@murrelektronik.com | shop.murrelektronik.com

country of origin	CZ
customs tariff number	85363010
EAN	4048879019668
eClass	27371013
Packaging unit	1