

SIEMENS CONTACTOR SUPPRESSOR

RC, 230/400VAC

230 V AC/DC

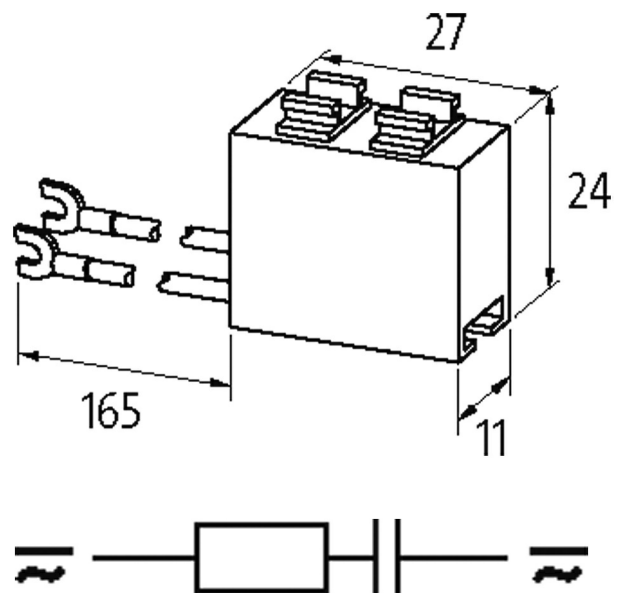
400 V AC/DC

RC

For other configurations and voltages, please inquire.

[Link to Product](#)

Illustration



RC

Product may differ from Image

Approvals



Appropriate contactors

3 TH 3/4/8; 3 TF 30...45; 3 TB 40...3 TB 44

Technical Data

Damping factor	approx. 1.5× UN
Material	Flame retardant plastic acc. to (UL 94)
Connection wires	self-securing cable forks

General data

Dimensions H×W×D	11×27×24 mm
Temperature range	-20...+70 °C

Commercial data

country of origin	CZ
customs tariff number	85363010
EAN	4048879019774
eClass	27371013
Packaging unit	1