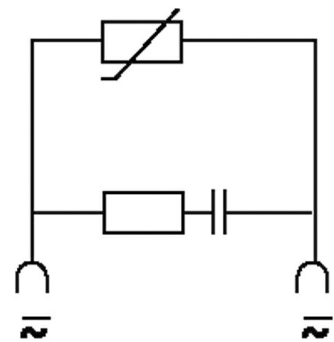
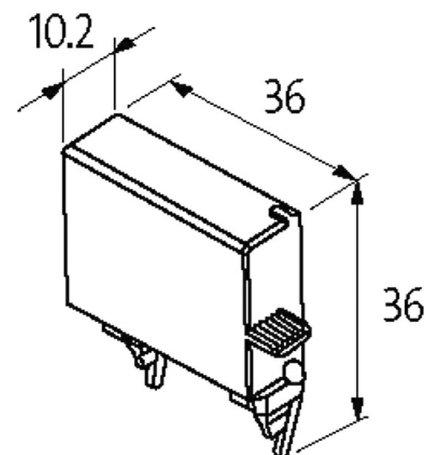


**SUPPRESSOR FOR SIEMENS CONTACTOR**

VDR+RC, 24...48 VAC/DC, 20 VA/W

24 V AC/DC  
RC + Varistor[Link to Product](#)**Illustration**

VDR-RC

Product may differ from image

**Approvals**

The information in this brochure has been compiled with the utmost care.  
Liability for the correctness, completeness, and topicality of the information is restricted to gross negligence. Version: 01/20

**Appropriate contactors**

3 RT 1.3/1.4

**Technical Data**

Damping factor	approx. 1.5× UN
Material	Flame retardant plastic acc. to (UL 94)
Connection wires	Plug contact

**General data**

Dimensions H×W×D	36×10.2×36 mm
Temperature range	-20...+70 °C

**Commercial data**

country of origin	CZ
customs tariff number	85363010
EAN	4048879019934
eClass	27371013
Packaging unit	1