

ABB CONTACTOR SUPPRESSOR

RC, 110VAC/DC

110 V AC/DC

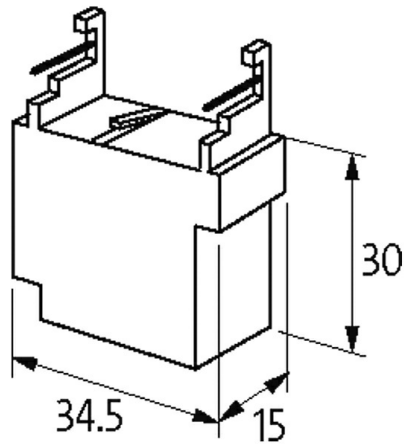
230 V AC/DC

RC

For other configurations and voltages, please inquire.

[Link to Product](#)

Illustration



RC

Product may differ from Image

Approvals



Appropriate contactors

A 9...A 16

Technical Data

Damping factor	approx. 1.5× UN
Connection wires	Plug contact
Material	Flame retardant plastic acc. to (UL 94)

General data

Dimensions H×W×D	40×34.5×15 mm
Temperature range	-20...+70 °C

Commercial data

country of origin	CZ
customs tariff number	85363010
EAN	4048879020015
eClass	27371013
Packaging unit	1