

## SUPPRESSOR FOR CONTACTORS

RC, 230 VAC/DC, 20 VAW

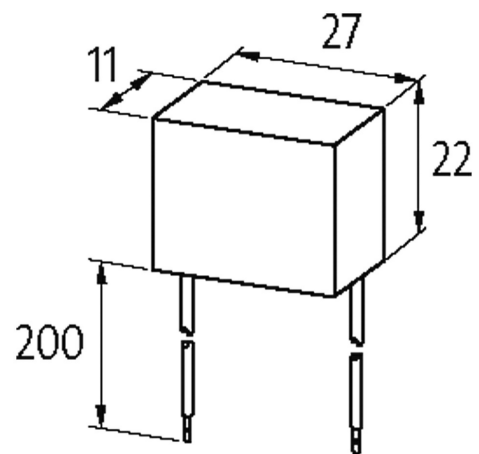
230 V AC/DC

RC

For other configurations and voltages, please inquire.

[Link to Product](#)

Illustration



RC

Product may differ from Image

#### Approvals



#### Technical Data

Damping factor	approx. 1.5× UN
----------------	-----------------

Material	Flame retardant plastic acc. to (UL 94)
Connection wires	flexible connection wires
max. power (W)	20 W (VA)
<b>General data</b>	
Dimensions H×W×D	22×27×11 mm
Temperature range	-20...+70 °C
<b>Appropriate contactors</b>	
	universal
<b>Commercial data</b>	
country of origin	CZ
customs tariff number	85363010
EAN	4048879020343
eClass	27371013
Packaging unit	1