

SUPPRESSOR FOR CONTACTORS

RC, 24 VAC/DC, 20 VA/W

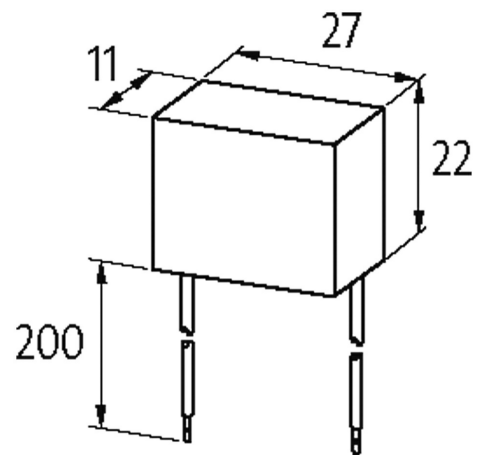
24 V AC/DC

RC

For other configurations and voltages, please inquire.

[Link to Product](#)

Illustration



RC

Product may differ from Image

Approvals



Technical Data

Damping factor	approx. 1.5x UN
----------------	-----------------

Material	Flame retardant plastic acc. to (UL 94)
Connection wires	flexible connection wires
max. power (W)	20 W (VA)
General data	
Dimensions H×W×D	22×27×11 mm
Temperature range	-20...+70 °C
Appropriate contactors	
	universal
Commercial data	
country of origin	CZ
customs tariff number	85363010
EAN	4048879020367
eClass	27371013
Packaging unit	1