

UNIVERSAL CONTACTOR SUPPRESSOR

RC, 48VDC/15VA/W

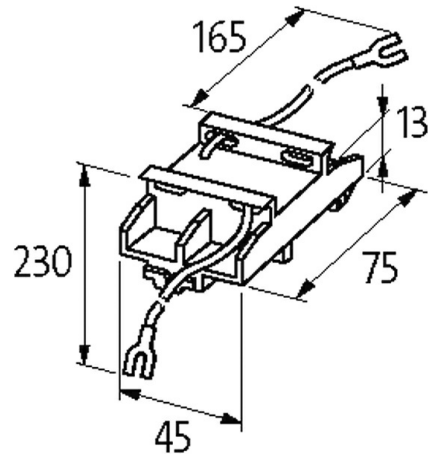
48 V AC/DC

RC

For other configurations and voltages, please inquire.

[Link to Product](#)

Illustration



RC

Product may differ from Image

Approvals



Appropriate contactors

universal

Technical Data

max. power (W)	15 W (VA)
Damping factor	approx. 1.5× UN
Material	Flame retardant plastic acc. to (UL 94)
Connection wires	self-securing cable forks

General data

Dimensions H×W×D	45×75×13 mm
Mounting method	DIN-rail mountable (EN 60715)
Temperature range	-20...+70 °C

Commercial data

country of origin	CZ
customs tariff number	85363010
EAN	4048879020466
eClass	27371013
Packaging unit	1