

## UNIVERSAL CONTACTOR SUPPRESSOR

RC, 230VAC/DC/25VA/W

230 V AC/DC

RC

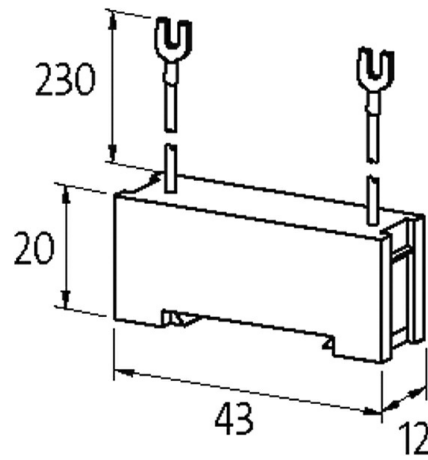
ASA adapter Art.-No. 20900 (included)

without accessories, can be directly snapped onto DIN-rail, ASA adapter Art.-No. 20900 included. For other configurations and voltages, please inquire.

### [Link to Product](#)

Illustration

stay connected



RC

Product may differ from Image

**Approvals**



**Appropriate contactors**

universal

**Technical Data**

max. power (W) 25 W (VA)

The information in this brochure has been compiled with the utmost care. Liability for the correctness completeness and topicality of the information is restricted to gross negligence. Version: 01/20

**General data**

Mounting method	ASA adapter Art.-No. 20900 (included)
Dimensions H×W×D	20×43×12 mm
Temperature range	-20...+70 °C

**Commercial data**

country of origin	CZ
customs tariff number	85363010
EAN	4048879020596
eClass	27371013
Packaging unit	1