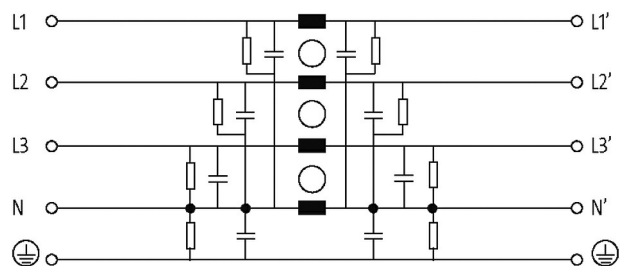
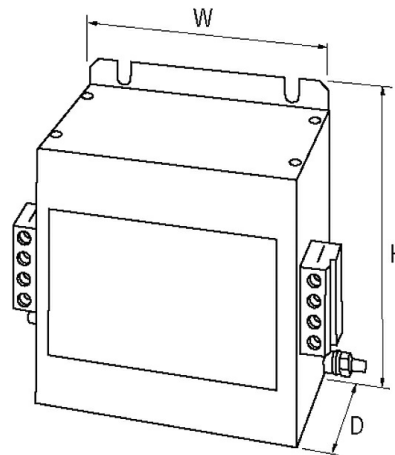


**MEF EMC-FILTER 3-PHASE 1-STAGE WITH NEUTRAL**

I:18A U:4x500 VAC

Current: 18 A  
with neutral  
with increased damping

Attenuation curves on request.

[Link to Product](#)**Illustration**

Product may differ from Image

**Approvals**



#### Technical Data

|                          |   |
|--------------------------|---|
| Connection cross section | 0.2...10 mm <sup>2</sup> single core (AWG 24...7); 0.2...6 mm <sup>2</sup> multiple core (AWG 24...9) |
| Operating voltage        | max. 3 × 500 V AC   |
| Operating frequency      | 50...60 Hz  |
| Consumption              | max. 15 mA (250 V AC)   |
| Overload current         | 18× (IN t) max. 0.5 ms; 1.5× (IN t) max. 1 min. (1× per hour)   |

#### General data

|                        |                                      |
|------------------------|--------------------------------------|
| Mounting method        | screw fixing                         |
| Dimensions H×W×D       | 153×130×100 mm                       |
| Climatic category      | 25/085/21 (EN 60068-1)               |
| Test isolation voltage | 3.3 kV (L-N), 2 s; 3.1 kV (L-L), 2 s |

#### Description

|                        |  |
|------------------------|--|
| Functional description | The 3-phase and one-stage EMC filters MEF 3/1 are used in the range 0.1...30 MHz and dampen interferences found in cables from the mains, supply units and control systems. They are suitable for TN-S, TN-C-S, and TT networks. The best results are obtained |
|------------------------|--|

#### Commercial data

|                       |               |
|-----------------------|---------------|
| country of origin     | IT            |
| customs tariff number | 85363030      |
| EAN                   | 4048879029094 |
| eClass                | 27130806      |
| Packaging unit        | 1             |