

M12 Power L-coded 4pol. male 0° / female 0°

TPE 4x14AWG ye UL/CSA, TC-ER, IEC 10m

Power

Male straight – female straight

USA

M12 – M12, 4-pole

L-coded

Plastic housings with good resistance against chemicals and oils.

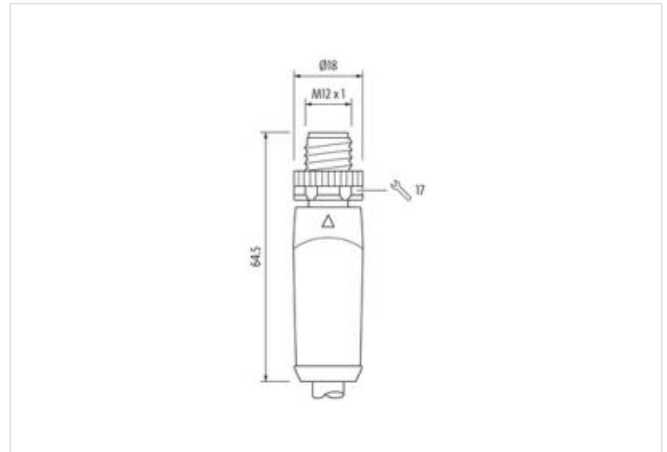
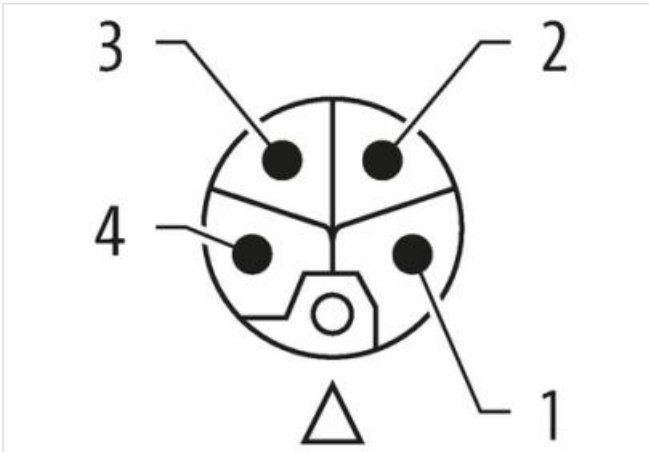
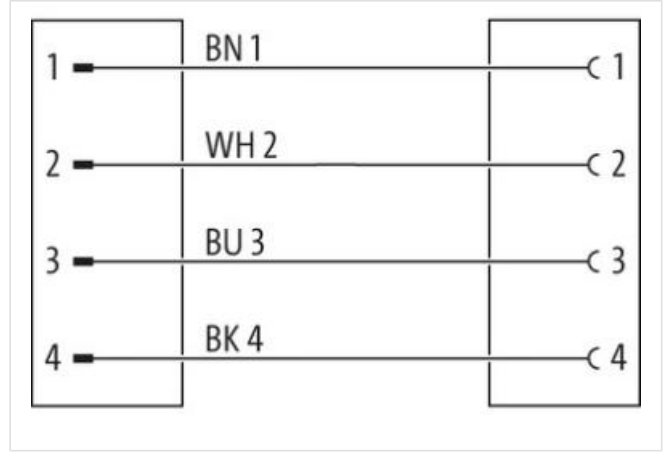
The resistance to aggressive media should be individually tested for your application. Further details on request.

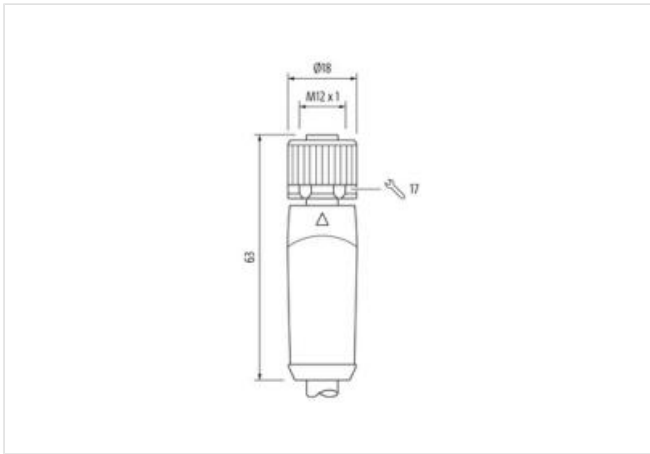
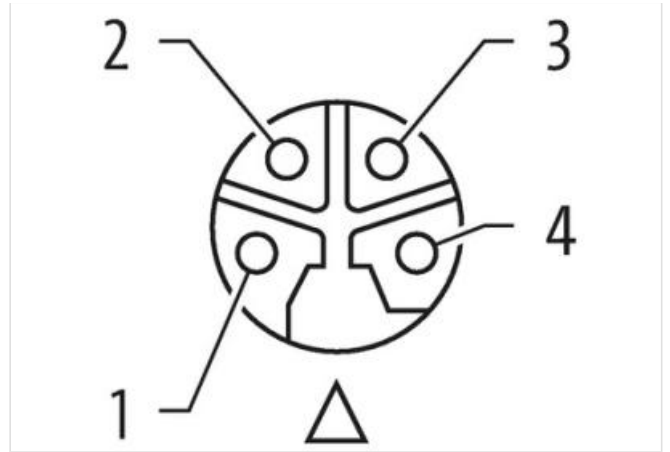
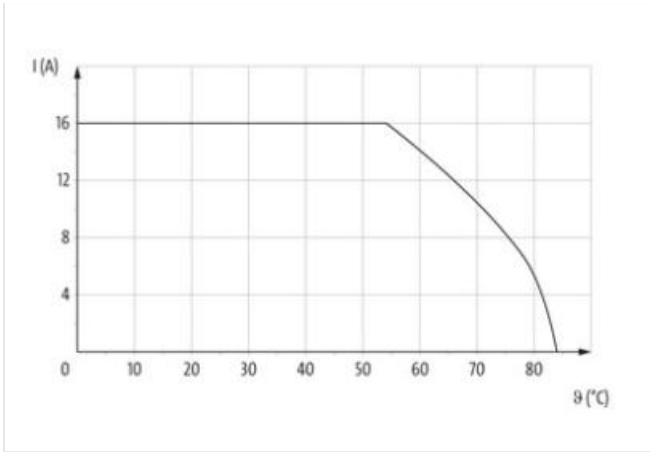
Further cable lengths on request.

without cable sleeves

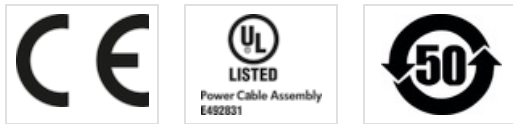
Ürün Linki

örnekleme





Ürün Image farklı olabilir



Cable length 10 m

Side 1

Tightening torque	0,6 Nm
Mounting method	inserted, screwed
Coating contact	gold plated
Family construction form	M12P
Thread	M12 x 1
suitable for corrugated tube (internal Ø)	16 mm
Cable outlet	straight
Coding	L
Material contact	Copper alloy
No. of poles	4
Width across flats	SW17
Degree of protection (EN IEC 60529)	IP65, IP67

Side 2

Tightening torque	0,6 Nm
Mounting method	inserted, screwed

Coating contact	gold plated
Family construction form	M12P
Thread	M12 x 1
suitable for corrugated tube (internal Ø)	16 mm
Cable outlet	straight
Coding	L
Material contact	Copper alloy
No. of poles	4
Width across flats	SW17
Degree of protection (EN IEC 60529)	IP65, IP67

Ticari bilgiler

ECLASS-6.0	27279218
ECLASS-6.1	27279218
ECLASS-7.0	27279218
ECLASS-8.0	27279218
ECLASS-9.0	27060327
ECLASS-10.1	27060311
ECLASS-11.1	27060311
ECLASS-12.0	27060327
ETIM-5.0	EC001855
GTIN	4048879855112
Gümrük tarife no (gtip)	85444290
Paket miktarı	1

Electrical data | Supply

Operating voltage DC max.	63 V
Current operating per contact max.	16 A

Diagnostics

Status indication LED	no
-----------------------	----

Installation | Connection

Tightening torque	0,6 Nm
Width across flats	SW17

Installation | Pin assignment

Coding	L
--------	---

Device protection | Electrical

Degree of protection (EN IEC 60529)	IP65, IP67
Additional condition protection degree	inserted, screwed
Pollution Degree	3
Rated surge voltage	1,5 kV
Material group (IEC 60664-1)	I

Mechanical data | Material data

Coating locking	Nickeled
Material gasket	FKM
Material housing	PUR
Locking material	Zinc die-casting

Mechanical data | Mounting data

Mounting method	inserted, screwed, Shaking protection
-----------------	---------------------------------------

Environmental characteristics | Climatic

Operating temperature min.	-25 °C
Operating temperature max.	85 °C
Additional condition temperature range	depending on cable quality

Important installation notes

Note on strain relief Protect the connectors by suitable measures from mechanical loads, e.g. by the usage of cable ties.

Note on bending radius **Attention:** Observe the permissible bending radii when laying cables, as the IP protection class can be endangered by excessive bending forces.

Conformity

Product standard IEC 61076-2-111

Installation | Cable

wire arrangement brown, black, blue, white

Cable identification U0N

Jacket Color yellow

Type of Certificate cURus

Amount stranding 1

Stranding 4 wires with 5 Filler twisted

Banding Fleece

Filler yes

wire arrangement brown, black, blue, white

Cable weight 176 g/m

Material jacket TPE

Freedom from ingredients (jacket) lead-free, CFC-free, halogen-free

Outer-diameter (jacket) 9,65 mm

Tolerance outer diameter (sheath) $\pm 5\%$

Material wire insulation PVC

Amount wires 4

Outer diameter insulation 2,95 mm

Outer diameter tolerance core insulation $\pm 5\%$

Ingredient freeness wire insulation lead-free, CFC-free

Amount strands (wire) 105

Diameter of single wires 14 AWG

Conductor crosssection (wire) 14 AWG

Material conductor wire Stranded copper wire, bare

Nominal voltage AC max. 600 V

Current load capacity (standard) according to NFPA-70 (NEC) : 400.5(A) (1-3)

Current load capacity min. wire 12 A

Electrical resistance line constant wire 8,6 Ω /km @ 20 °C

AC withstand voltage (wire - wire) 6 kV @ 60 s

Power frequency withstand voltage (wire - jacket) 6 kV @ 60 s

Min. operating temperature (static) -50 °C

Max. operating temperature (fixed) 105 °C

Operating temperature min. (dynamic) -20 °C

Operating temperature max. (dynamic) 90 °C

Flame resistance UL 1581 § 1090 | UL 1581 § 1100 FT2 | IEC 60332-2-2

chemical resistance Good, application-related testing

Gasoline resistance Good, application-related testing

Oil resistance DIN EN 60811-404 | Good, application-related testing

Bending radius (fixed) 8 x Outer diameter

Bending radius (dynamic) 10 x Outer diameter

No. of bending cycles (C-track) 2 Mio.