

Mini (7/8) 5 pole, Male (Ext.) 90°/Female 90°

PVC 5x16AWG ye UL/CSA, STOOW

Male 90° – female 90°

7/8" – 7/8", 5-pole

Power cable

USA

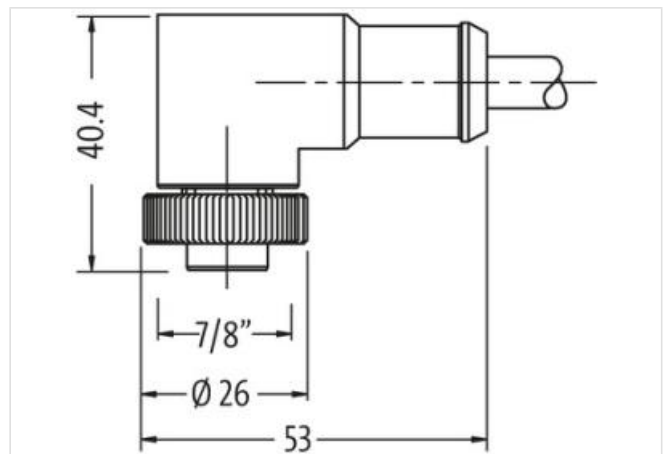
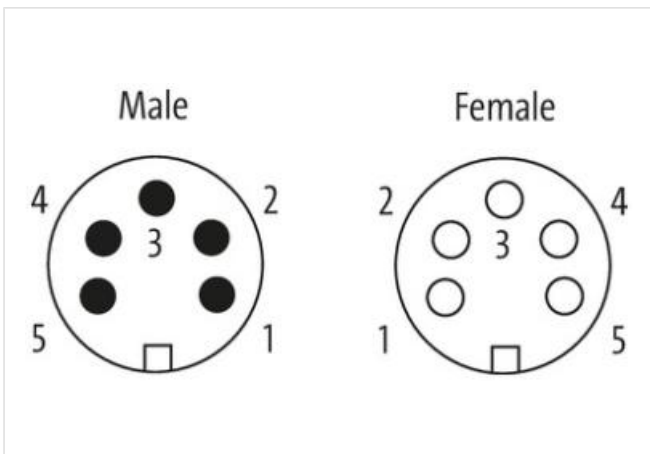
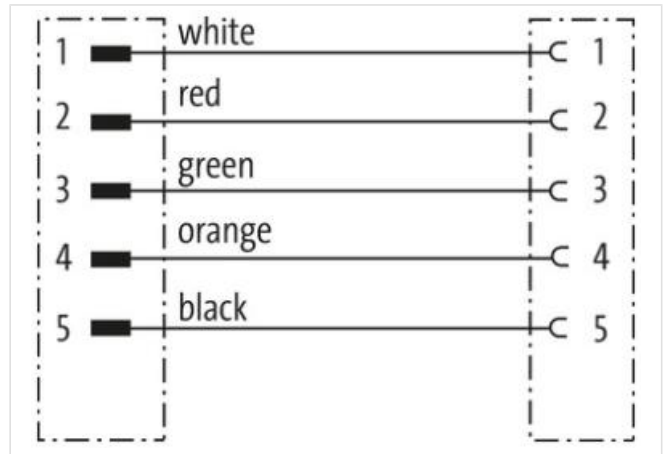
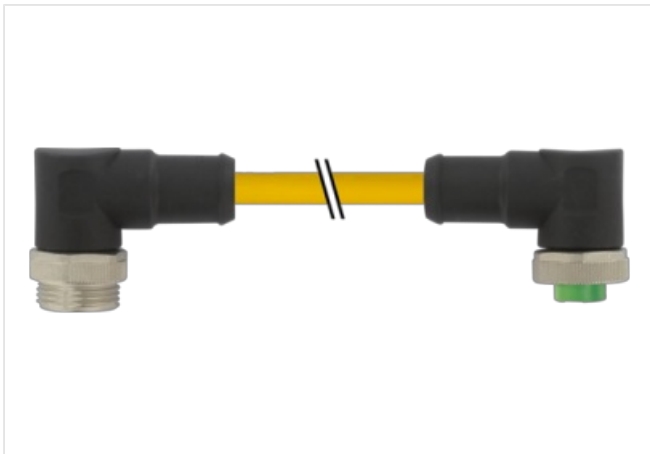
Further cable lengths on request.

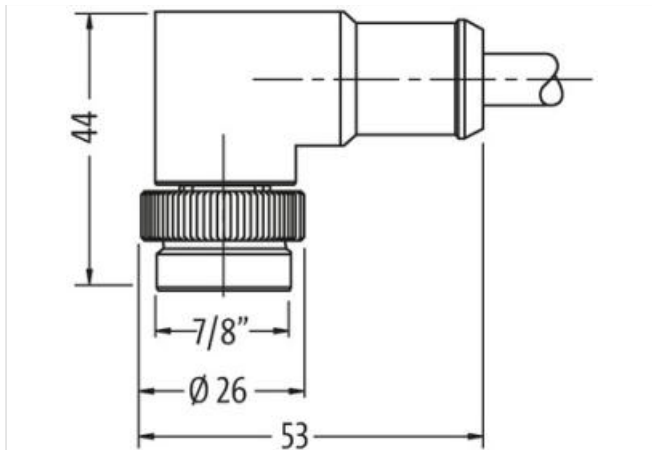
Plastic housings with good resistance against chemicals and oils.

The resistance to aggressive media should be individually tested for your application. Further details on request.

[Link do produto](#)

Ilustração





Produto pode diferir da imagem



Cable length 10 m

Side 1

Tightening torque 1,5 Nm

Family construction form 7/8"

Thread 7/8"

Width across flats SW24

Side 2

Tightening torque 1,5 Nm

Thread 7/8"

Dados comerciais

ECLASS-6.0 27279218

ECLASS-7.0 27279218

ECLASS-8.0 27279218

ECLASS-9.0 27060311

ECLASS-10.1 27060311

ECLASS-11.1 27060311

ECLASS-12.0 27060327

ETIM-5.0 EC001855

Classificação fiscal 85444290

GTIN 4048879643917

Quantidade por embalagem 1

Electrical data | Supply

Operating voltage AC max. 600 V

Operating voltage DC max. 600 V

Current operating per contact max. 9 A

Device protection | Electrical

Degree of protection (EN IEC 60529) IP68

Additional condition protection degree inserted, screwed

Mechanical data | Material data

Coating locking Nicked

Material housing PUR

Locking material Zinc die-casting

Mechanical data | Mounting data

Mounting method inserted, screwed, Shaking protection

Environmental characteristics | Climatic

Operating temperature min. -25 °C

Operating temperature max. 80 °C

Additional condition temperature range depending on cable quality

Important installation notes

Note on strain relief Protect the connectors by suitable measures from mechanical loads, e.g. by the usage of cable ties.

Note on bending radius **Attention:** Observe the permissible bending radii when laying cables, as the IP protection class can be endangered by excessive bending forces.

Installation | Cable

wire arrangement black, orange, green, red, white

Cable identification UBD

Jacket Color yellow

Type of Certificate cURus

STOOW style jacket STOOW

Amount stranding 1

Stranding 5 wires around 1 Filler twisted

Banding silk paper

Filler yes

wire arrangement black, orange, green, red, white

Cable weight 189,2 g/m

Material jacket PVC

Freedom from ingredients (jacket) lead-free, CFC-free

Outer-diameter (jacket) 12,7 mm

Tolerance outer diameter (sheath) ± 5 %

Material wire insulation PVC

Amount wires 5

Outer diameter insulation 3,05 mm

Outer diameter tolerance core insulation ± 5 %

Ingredient freeness wire insulation lead-free, CFC-free

Amount strands (wire) 26

Diameter of single wires 16 AWG

Conductor crosssection (wire) 16 AWG

Material conductor wire Stranded copper wire, bare

Nominal voltage AC max. 600 V

Current load capacity (standard) according to NFPA-70 (NEC) : 400.5(A) (1-3)

Current load capacity min. wire 8 A

Electrical resistance line constant wire 13,1 Ω/km @ 20 °C

AC withstand voltage (wire - wire) 6 kV @ 60 s

Power frequency withstand voltage (wire - jacket) 6 kV @ 60 s

Min. operating temperature (static) -50 °C

Max. operating temperature (fixed) 105 °C

Operating temperature min. (dynamic) -20 °C

Operating temperature max. (dynamic) 90 °C

Flame resistance IEC 60332-2-2 | UL 1581 § 1090 | UL 1581 § 1100 FT2

chemical resistance Good, application-related testing

Gasoline resistance Good, application-related testing

Oil resistance DIN EN 60811-404 | Good, application-related testing

Bending radius (fixed) 10 x Outer diameter

Bending radius (dynamic) 15 x Outer diameter

No. of bending cycles (C-track)	2 Mio.
---------------------------------	--------