

**Mini (7/8) 5 pole, Male (Ext.) 0°/Female 0°**

PVC 5x16AWG ye UL/CSA, STOOW

Male straight – female straight

7/8" – 7/8", 5-pole

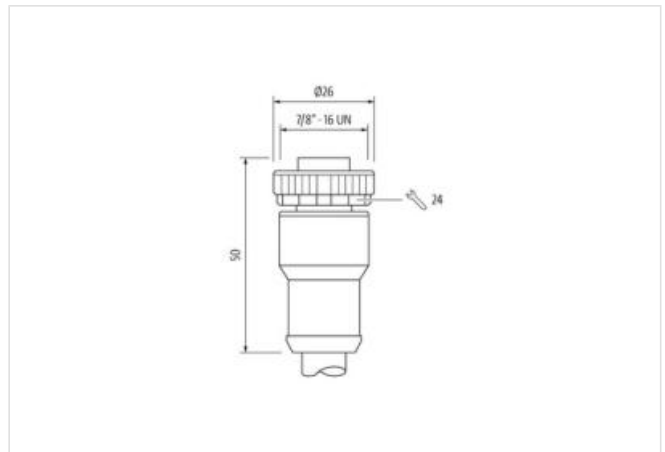
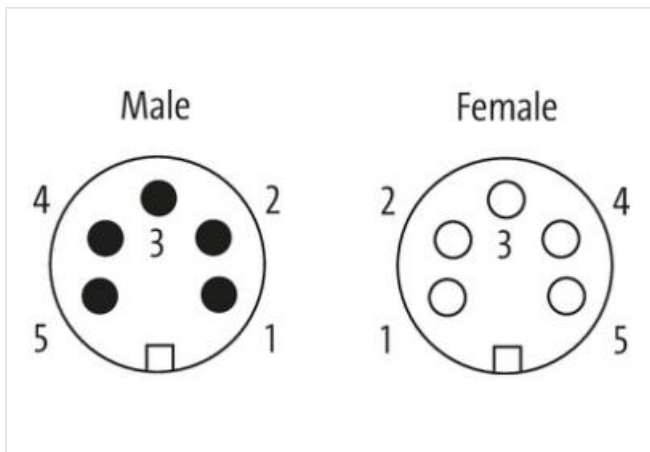
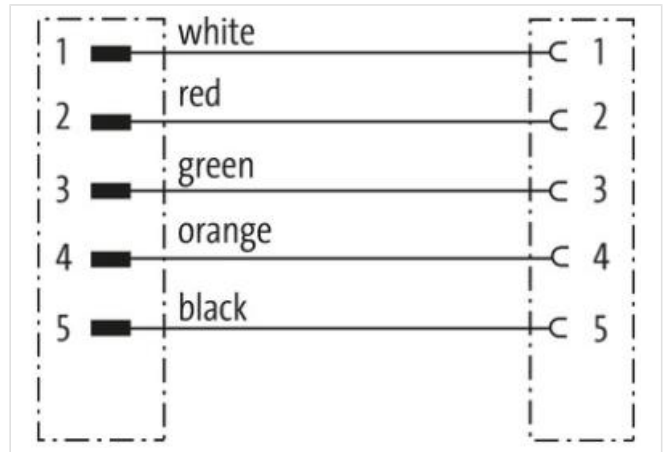
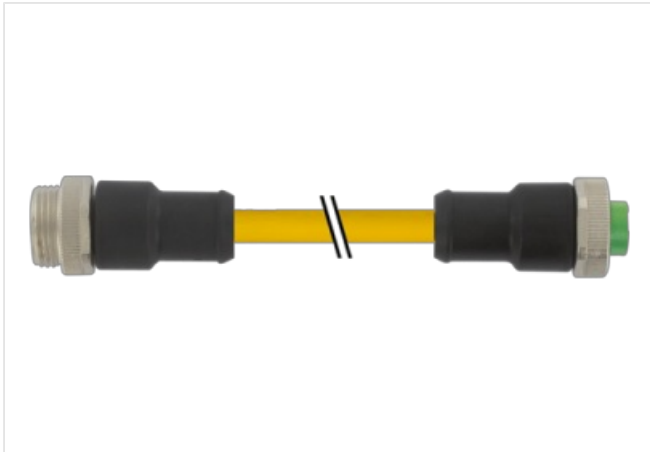
Power cable

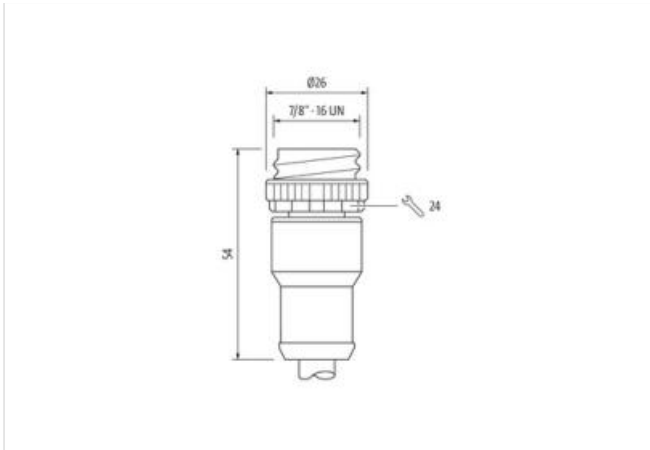
USA

Further cable lengths on request.

Plastic housings with good resistance against chemicals and oils.

The resistance to aggressive media should be individually tested for your application. Further details on request.

[Link do produto](#)**Ilustração**



Produto pode diferir da imagem



Cable length 3 m

#### Side 1

Tightening torque 1,5 Nm

Family construction form 7/8"

Thread 7/8"

Width across flats SW24

#### Side 2

Tightening torque 1,5 Nm

Thread 7/8"

#### Dados comerciais

ECLASS-6.0 27279218

ECLASS-6.1 27279218

ECLASS-7.0 27279218

ECLASS-8.0 27279218

ECLASS-9.0 27060327

ECLASS-10.1 27060311

ECLASS-11.1 27060311

ECLASS-12.0 27060327

ETIM-5.0 EC001855

Classificação fiscal 85444290

GTIN 4048879644235

Quantidade por embalagem 1

#### Electrical data | Supply

Operating voltage AC max. 600 V

Operating voltage DC max. 600 V

Current operating per contact max. 9 A

#### Device protection | Electrical

Degree of protection (EN IEC 60529) IP68

Additional condition protection degree inserted, screwed

#### Mechanical data | Material data

Coating locking Nicked

Material housing	PUR
Locking material	Zinc die-casting
<b>Mechanical data   Mounting data</b>	
Mounting method	inserted, screwed, Shaking protection
<b>Environmental characteristics   Climatic</b>	
Operating temperature min.	-25 °C
Operating temperature max.	80 °C
Additional condition temperature range	depending on cable quality
<b>Important installation notes</b>	
Note on strain relief	Protect the connectors by suitable measures from mechanical loads, e.g. by the usage of cable ties.
Note on bending radius	<b>Attention:</b> Observe the permissible bending radii when laying cables, as the IP protection class can be endangered by excessive bending forces.
<b>Installation   Cable</b>	
wire arrangement	black, orange, green, red, white
Cable identification	UBD
Jacket Color	yellow
Type of Certificate	cURus
STOOW style jacket	STOOW
Amount stranding	1
Stranding	5 wires around 1 Filler twisted
Banding	silk paper
Filler	yes
wire arrangement	black, orange, green, red, white
Cable weight	189,2 g/m
Material jacket	PVC
Freedom from ingredients (jacket)	lead-free, CFC-free
Outer-diameter (jacket)	12,7 mm
Tolerance outer diameter (sheath)	± 5 %
Material wire insulation	PVC
Amount wires	5
Outer diameter insulation	3,05 mm
Outer diameter tolerance core insulation	± 5 %
Ingredient freeness wire insulation	lead-free, CFC-free
Amount strands (wire)	26
Diameter of single wires	16 AWG
Conductor crosssection (wire)	16 AWG
Material conductor wire	Stranded copper wire, bare
Nominal voltage AC max.	600 V
Current load capacity (standard)	according to NFPA-70 (NEC) : 400.5(A) (1-3)
Current load capacity min. wire	8 A
Electrical resistance line constant wire	13,1 Ω/km @ 20 °C
AC withstand voltage (wire - wire)	6 kV @ 60 s
Power frequency withstand voltage (wire - jacket)	6 kV @ 60 s
Min. operating temperature (static)	-50 °C
Max. operating temperature (fixed)	105 °C
Operating temperature min. (dynamic)	-20 °C
Operating temperature max. (dynamic)	90 °C
Flame resistance	IEC 60332-2-2   UL 1581 § 1090   UL 1581 § 1100 FT2
chemical resistance	Good, application-related testing
Gasoline resistance	Good, application-related testing
Oil resistance	DIN EN 60811-404   Good, application-related testing
Bending radius (fixed)	10 x Outer diameter

As informações contidas nesta folha de dados foram elaboradas com o máximo cuidado.  
A falta de integridade, exatidão e atualização das informações é considerada negligência grave. versão : 26/06/2024

---

Bending radius (dynamic)	15 x Outer diameter
No. of bending cycles (C-track)	2 Mio.

---